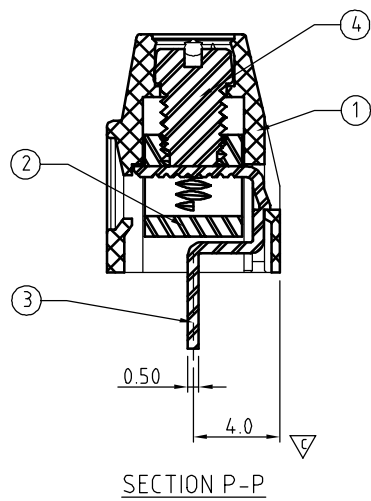
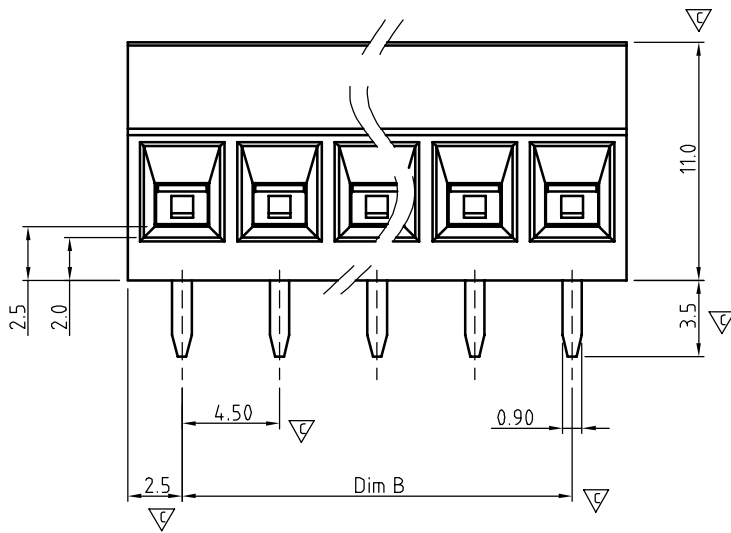


DIMENSION

| | |
|-------|-------------|
| Dim A | NX4.50+0.50 |
| Dim B | (N-1)X4.50 |

N=Number of poles

| Poles | Tolerance |
|---------|-----------|
| 2p-6p | ±0.10 |
| 7p-12p | ±0.20 |
| 13p-18p | ±0.30 |
| 19p-24p | ±0.40 |



| SIGN | DATE | DESCRIPTION | APPROVER |
|------|----------|--------------------|----------|
| △ | 03/09'13 | update the drawing | Guoxue |
| △ | | | |
| △ | | | |
| △ | | | |
| △ | | | |
| △ | | | |

THIS IS CAD DRAWING, DO NOT REVISE MANUALLY!!!

Material:

- Item 1 Terminal housing: Thermoplastic (UL 94V-0)
- Item 2 Clamp: Brass ,Ni plated
- Item 3 Wire guard solder pin: Brass ,Tin plated
- Item 4 Terminal screw: Steel Zinc plating"- "slot type
-

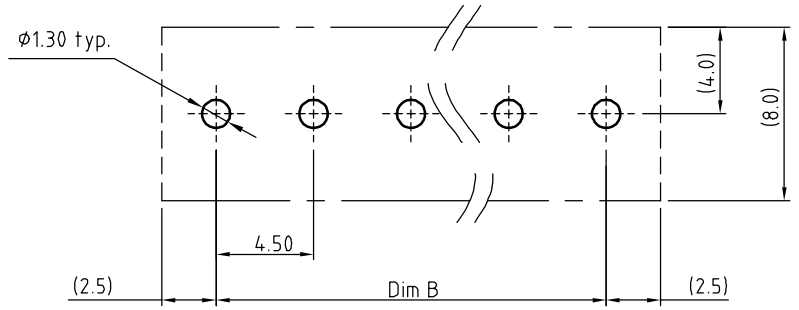
Electrical

- Voltage rating: 300VAC
- Current rating: 10A
- Wire range:
 - Solid wire(AWG): 16-24
 - Stranded wire(AWG): 16-24
- △ Torque: 2.7 Lb-In
- Screw: M3.0
- Wire strip length: 5-6mm
- Withstanding Voltage: 1.6KV
- Operating temperature: -40°C to +115°C
- △ Soldering temperature: 260°C±5°C/5 Sec
- △ Safety Approval:
- Critical dimension:

K6 xx 01 x 0 xxxx G

G RoHS compliant (lead<4%) In copper Alloy

| | | |
|--------------|---------------------|--|
| No. of poles | 0 Black (RAL9005) | 0000:"@ "Logo (Standard) |
| 02 2 POLES | 2 Red (RAL3001/D) | 000A:"ANYTEK" Logo |
| 03 3 POLES | 3 Orange(RAL2011/P) | Any special item by customer request, please contact sales department. |
| ... | 4 Yellow(RAL1018/A) | |
| 24 24 POLES | 5 Green(RAL6018/T) | |
| | 6 Blue (RAL5015/A) | |
| | 8 Grey(RAL7035/D) | |
| | 9 White(RAL1102) | |
| | C Green(RAL6018/U) | |



P.C.B. LAYOUT
TOP VIEW

| | | | | | | | | | | | | | | | | | | | |
|---|---------------------------|----------------------|----------------------|----------------------|---|--|--|----------|----|-------|-------------|-----|-------|--|------|-------|--|----|-----|
| ANYTEK | | | | CUSTOMER COPY | | | | | | | | | | | | | | | |
| ALL RIGHTS RESERVED. REPRODUCTION OR ISSUE TO THIRD PARTIES IN ANY FORM WHATSOEVER IS NOT PERMITTED WITHOUT WRITTEN AUTHORITY FROM THE PROPRIETOR. PROPERTY OF ANYTEK TECHNOLOGY CO., LTD | | | | | | | | | | | | | | | | | | | |
| TITLE | K6-4.5 mm Series (2P-24P) | | | | | | | | | | | | | | | | | | |
| PART NO. | K6xx01x0xxxxG | | | DWG NO. | 8K60001 | | | | | | | | | | | | | | |
| APPROVED | CHECKED | DESIGNED | DRAWN | CUST NO. | Tolerance | | | | | | | | | | | | | | |
| | | Guoxue 2013.03.11 | Guoxue 2013.03.11 | | <table border="1"> <tr> <td>UNIT: mm</td> <td>X.</td> <td>±0.50</td> </tr> <tr> <td>SCALE: NONE</td> <td>X.X</td> <td>±0.30</td> </tr> <tr> <td></td> <td>X.XX</td> <td>±0.10</td> </tr> <tr> <td></td> <td>X°</td> <td>±1°</td> </tr> </table> | | | UNIT: mm | X. | ±0.50 | SCALE: NONE | X.X | ±0.30 | | X.XX | ±0.10 | | X° | ±1° |
| UNIT: mm | X. | ±0.50 | | | | | | | | | | | | | | | | | |
| SCALE: NONE | X.X | ±0.30 | | | | | | | | | | | | | | | | | |
| | X.XX | ±0.10 | | | | | | | | | | | | | | | | | |
| | X° | ±1° | | | | | | | | | | | | | | | | | |
| | | | | SHEET: 01/01 | REV.: C | | | | | | | | | | | | | | |