

SIGN	DATE	DESCRIPTION	APPROVER
△	2010.12.20	The design is changed	Chen Bo
△	04/04'11	Add is spec.	Chen Bo
△	07/29'11	The torque is changed & Add is the "cULus" mark	Runner

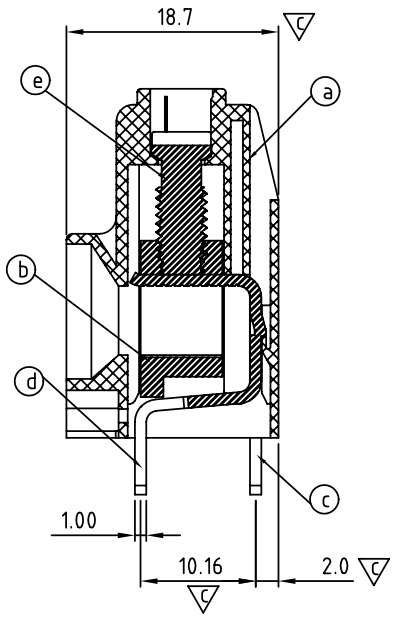
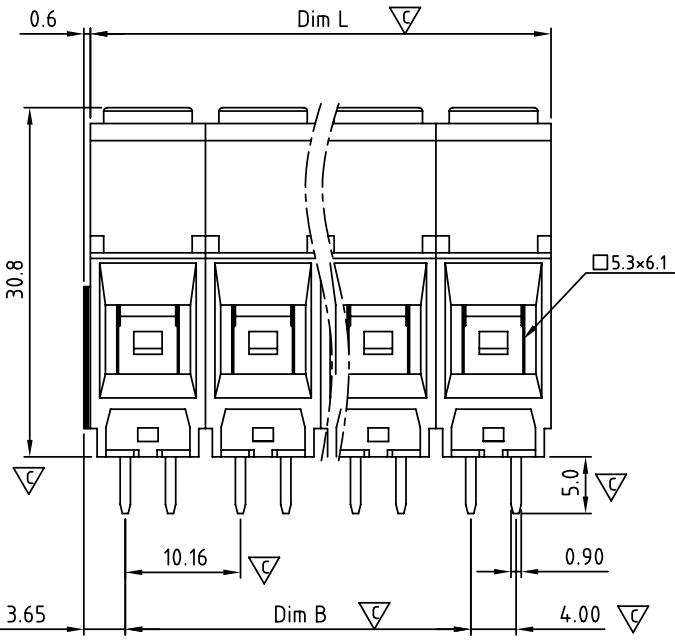
*THIS IS CAD DRAWING, DO NOT REVISE MANUALLY!!!*

**Material:**

- Item a Terminal housing : Thermoplastic (UL 94V-0)
- Item b Clamp : Brass , Ni plated
- Item c Wire guard solder pin (Back single row) : Copper , Tin plated
- Item d Wire guard soler pin (Front single row) : Copper , Tin plated
- Item e Terminal screw: Steel Zinc plating"-"/slot type

**Electrical**

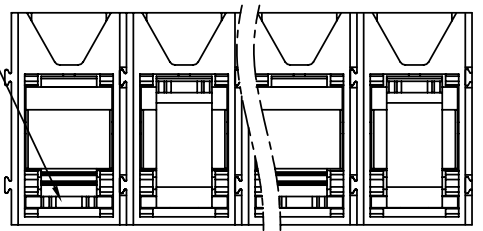
- Voltage rating : 600V
- Current rating : 65A
- Wire range :
- Solid wire (AWG) : 6-20
- Stranded wire (AWG) : 6-20
- Torque (LB-In.) : 12.2
- Screw : M4.5
- Wire strip length : 10 ~ 11mm
- Withstanding voltage : 2.2KV
- Operating temperature : -40°C+115°C
- Soldering temperature : 250°C+10°C/5 Sec
- △ ● Critical dimension:
- Safety Approval:



**KP xx 2 1 x 0 xxxx G**

- 02 2 Poles
  - 03 3 Poles
  - ... ..
  - 12 12 Poles
- Color
- 0 Black (RAL9005)
  - 2 Red (RAL3001/D)
  - 3 Orange(RAL2011/P)
  - 4 Yellow(RAL1018/A)
  - 5 Green(RAL6018/T)
  - 6 Blue (RAL5015/A)
  - 8 Grey(RAL7035/D)
- RoHS  
Pb<40,000ppm
- 0000:"@"/Logo (Standard )  
000A:"ANYTEK"/Logo  
Any special item by customer request, please contact sales department.

△ First pole with back contact



SECTION A-A

**ANYTEK**

**CUSTOMER COPY**

ALL RIGHTS RESERVED. REPRODUCTION OR ISSUE TO THIRD PARTIES IN ANY FORM WHATSOEVER IS NOT PERMITTED WITHOUT WRITTEN AUTHORITY FROM THE PROPRIETOR. PROPERTY OF ANYTEK TECHNOLOGY CO., LTD

TITLE		KP 10.16 Series Solder pins staggered by half pin spacing (Without cover)				
PART NO.	KPxx21x0xxxxG			DWG NO.	8KP0101	
APPROVED	CHECKED	DESIGNED	DRAWN	CUST NO.	Tolerance	
		Runner 2011.07.29	Chen Bo 2011.04.04		UNIT: mm	X. ±0.50
					SCALE: NONE	X.X ±0.30
					SHEET: 01/01	X.XX ±0.10
				REV.: E	X° ±1°	

Poles	02	03	04	05	06	07	08	09	10	11	12
Dim L	20.32	30.48	40.64	50.80	60.96	71.12	81.28	91.44	101.60	111.76	121.92
Dim B	10.16	20.32	30.48	40.64	50.80	60.96	71.12	81.28	91.44	101.60	111.76
TOL	±0.20			±0.30				±0.40			