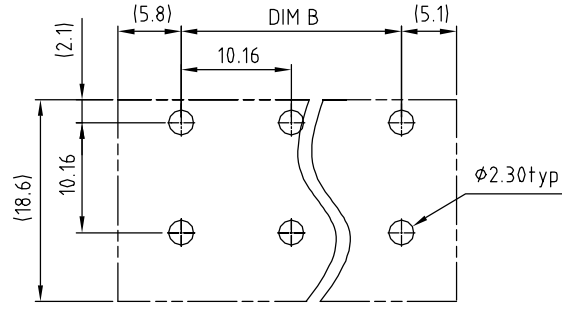
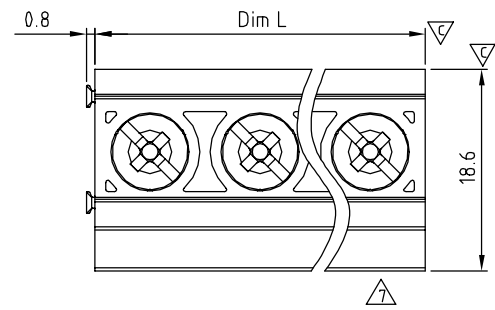
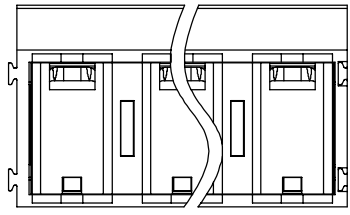
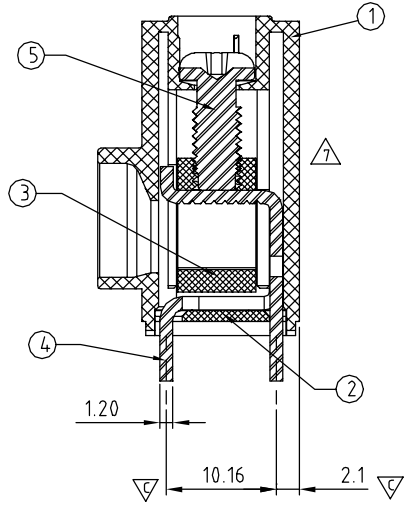
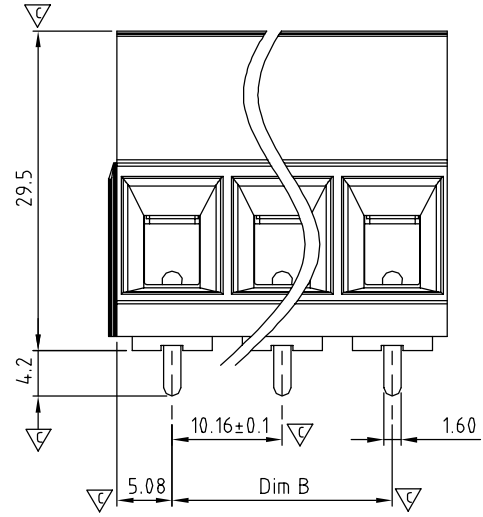


1 2 3 4 5 6 7



P.C.B. LAYOUT



N=NUMBER OF POLES

| | |
|-------|-------------|
| Dim L | Nx10.16 |
| Dim B | (N-1)x10.16 |

| | TOL | |
|-------|-------|--------|
| | 2P-6P | 7P-12P |
| Dim L | ±0.25 | ±0.40 |
| Dim B | ±0.25 | ±0.40 |

| SIGN | DATE | DESCRIPTION | APPROVER |
|------|----------|---|----------|
| △ | 04/01'09 | How to order is changed From xx66x0xxxxG to xx62x0xxxxG | Jacke |
| △ | 09/16'09 | Voltage rating is changed From 300V to 600V | Aaron |
| △ | 09/16'09 | Current rating is changed From 57A to 64A | Aaron |
| △ | 09/16'09 | Torque is changed From 10.4 LB-In to 19 LB-In | Aaron |
| △ | 09/16'09 | Wire guard solder pin is changed From Brass to Copper | Aaron |
| △ | 01/19'10 | Add is cULus | Aaron |
| △ | 09/17'10 | Construction is change | Aaron |
| △ | 06/02'11 | Voltage rating is changed From 600V to 300V | Steven |

Material:

- Item 1 Terminal housing: Thermoplastic (UL 94V-0)
- Item 2 Terminal cover: Thermoplastic (UL 94V-0)
- Item 3 Clamp: Zinc alloy . Ni plated
- △ ● Item 4 Wire guard solder pin: Copper .Tin plated
- Item 5 Terminal screw: Steel Zinc plating“+/-”slot type

- △ Electrical cULus
- Voltage rating : 300V
- Current rating : 64A
- Wire range :
- Solid wire (AWG) : 6-22
- Stranded wire (AWG) : 6-22
- △ ● Torque (LB-In.) : 19
- Screw : M4.5
- Wire strip length : 11-12mm
- Withstanding voltage : 1.6KV
- Operating temperature : -40°C+115°C
- Soldering temperature : 250°C+10°C/5 Sec
- △ ● Safety Approval:
- Critical dimension:

△ KQ xx 6 2 x 0 xxxx G

| | | | |
|------------------|---------------------|-------------------------|----------------------|
| | | | RoHS Pb<40,000ppm |
| No. of poles end | 0 Black (RAL9005) | 0000:"@”Logo (Standard) | |
| stackable design | 2 Red (RAL3001/D) | 000A:"ANYTEK”Logo | |
| 02 2 CONTACTS | 3 Orange(RAL2011/P) | Any special item by | |
| 03 3 CONTACTS | 4 Yellow(RAL1018/A) | customer request, | |
| | 5 Green(RAL6018/T) | please contact sales | |
| 12 12 CONTACTS | 6 Blue (RAL5015/A) | department. | |
| | 8 Grey(RAL7035/D) | | |

| | | | | | | | |
|--|--|--|---------------------|----------------------|---------|-------------|---------|
| ANYTEK | | | | CUSTOMER COPY | | | |
| ALL RIGHTS RESERVED. REPRODUCTION OR ISSUE TO THIRD PARTIES IN ANY FORM WHATSOEVER IS NOT PERMITTED WITHOUT WRITTEN AUTHORITY FROM THE PROPRIETOR. PROPERTY OF ANYTEK TECHNOLOGY CO. LTD | | | | | | | |
| TITLE | | KQ 10.16 Series 2p-12p contact 1.20x1.60mm--A TYPE | | | | | |
| PART NO. | | KQxx62x0xxxx G | | | DWG NO. | | 8KQ0001 |
| APPROVED | | DESIGNED | DRAWN | CUST NO. | | Tolerance | |
| | | STEVEN 2011.06.02 | Aaron 2009.09.15 | | | X. ±0.50 | |
| | | | | | | UNIT: mm | |
| | | | | | | SCALE: NONE | |
| | | | | SHEET: 01/01 | | REV.: G | |
| | | | | | | X.XX ±0.10 | |
| | | | | | | X° ±1° | |

1 2 3 4 5 6 7