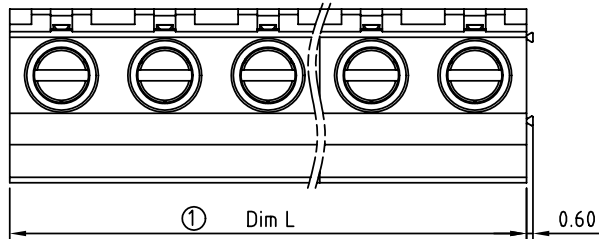


SIGN	DATE	DESCRIPTION	APPROVER
△			
THIS IS CAD DRAWING, DO NOT REVISE MANUALLY!!!			

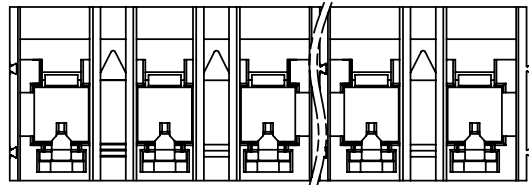
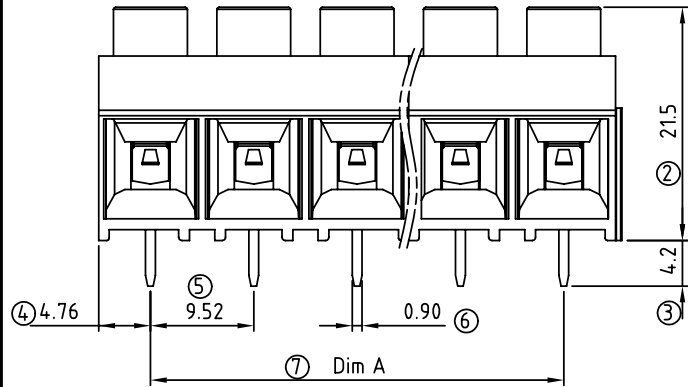
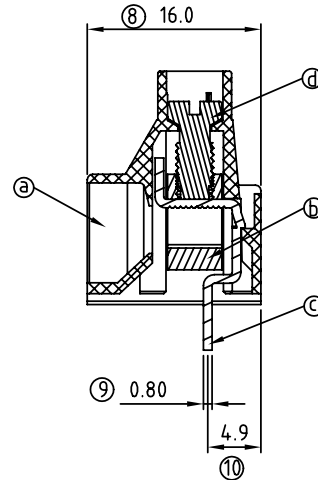


DIMENSION		Poles	Tolerance
Dim L	N×9.52	2p-6p	±0.15
Dim A	(N-1)×9.52	7p-12p	±0.25
		13p-16p	±0.35

N=Number of contacts

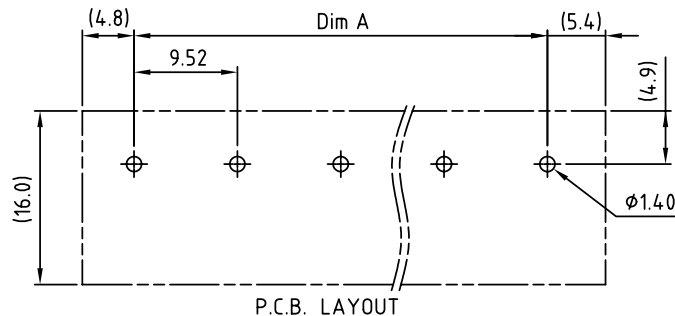
- Material:
- Item ③ Terminal housing : Thermoplastic (UL94V-0)
 - Item ④ Clamp : Brass, Ni plated
 - Item ⑤ Wire guard solder pin : Copper , Tin plated
 - Item ⑥ Terminal screw : Steel Zinc plating "- " slot type

- Electrical:
- Voltage rating: 300 V
 - Current rating: 30 A
 - Wire range:
 - Solid wire(AWG): 10-24
 - Stranded wire(AWG): 10-24
 - Torque: 5.5 Lb-In
 - Screw: M3.5
 - Wire strip length: 7-8 mm
 - Withstanding Voltage: 1.6 KV
 - Operating temperature: -40°C to +115°C
 - Soldering temperature: 250°C±10°C/5 Sec



K O xx 2 1 x 0 xxxx G

- No. OF POLES ————
- 02: 2 POLES
 - :
 - 16: 16 POLES
- COLOR ————
- 0: BLACK
 - 5: GREEN (RAL 6018/T)
 - 6: BLUE
 - 8: GREY (RAL 7035/D)
- G: Pb<40000ppm
- 0000: "@" Logo (Standard)
- 000A: "ANYTEK" Mark
- Any special item by customer request. please contact sales department.



ANYTEK		CUSTOMER COPY			
		ALL RIGHTS RESERVED. REPRODUCTION OR ISSUE TO THIRD PARTIES IN ANY FORM WHATSOEVER IS NOT PERMITTED WITHOUT WRITTEN AUTHORITY FROM THE PROPRIETOR. PROPERTY OF ANYTEK TECHNOLOGY CO., LTD			
TITLE	K0 9.52 Series (Single row Pin)				
PART NO.	K0xx21x0xxxxG	DWG NO.	8K00002		
APPROVED	CHECKED	DESIGNED	DRAWN	CUST NO.	Tolerance
		Aaron 2009.12.30	Aaron 2009.10.20		X. ±0.50 X.X ±0.30 X.XX ±0.10 X° ±1°
				UNIT: mm	
				SCALE: NONE	
				SHEET: 01/01	REV.: B