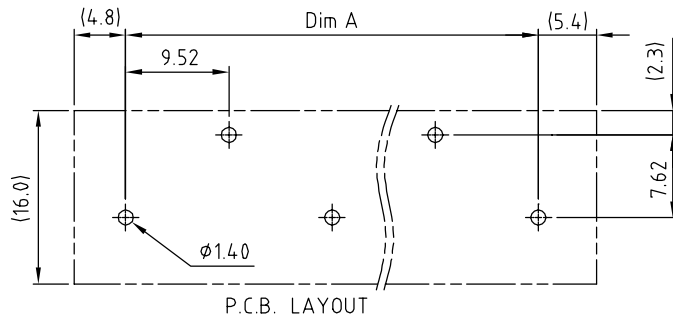
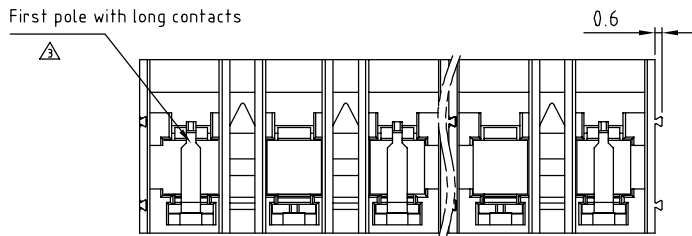
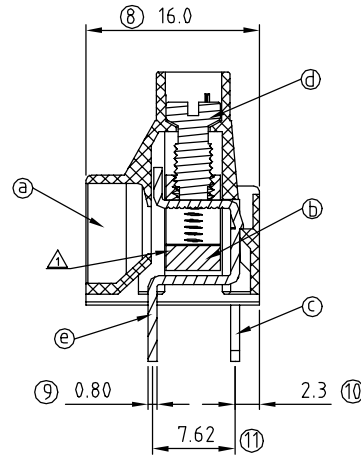
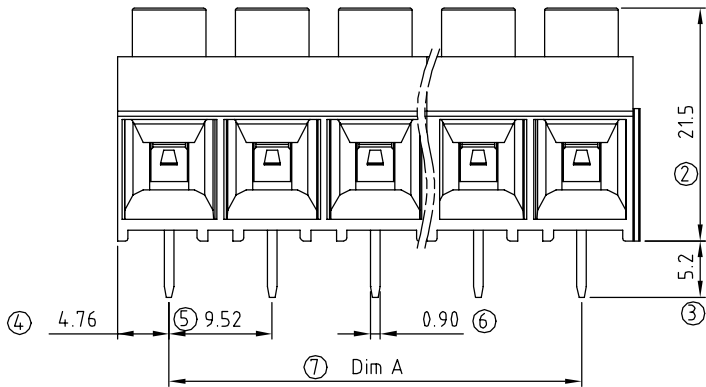


DIMENSION		Poles	Tolerance
Dim L	N×9.52	2p-6p	±0.15
Dim A	(N-1)×9.52	7p-12p	±0.25
		13p-16p	±0.35

N=Number of contacts



SIGN	DATE	DESCRIPTION	APPROVER
△	08/04'10	Clamp is chnged	Aaron
△	01/19'10	Add is cULus	Aaron
△	04/02'11	Add is spec.	Runner

THIS IS CAD DRAWING, DO NOT REVISE MANUALLY!!!

Material:

- Item a Terminal housing : Thermoplastic (UL94V-0)
- Item b Clamp : Brass, Ni plated
- Item c Wire guard solder pin : Copper , Tin plated ( Side Contacts )
- Item d Terminal screw: Steel Zinc plating "--" slot type
- Item e Wire guard solder pin : Copper , Tin plated ( Center Contacts )

Electrical:

- Voltage rating: 600 V
- Current rating: 30 A
- Wire range:
- Solid wire(AWG): 10-24
- Stranded wire(AWG): 10-24
- Torque: 5.5 Lb-In
- Screw: M3.5
- Wire strip length: 7-8 mm
- Withstanding Voltage: 2.2KV
- Operating temperature: -40°C to +115°C
- Soldering temperature: 250°C±10°C/5 Sec

△ ● Safety Approval: 

**KO xx 21 x 1 xxxx G**

No. of poles end	0	Black (RAL9005)						RoHS
stackable design	2	Red (RAL3001/D)						Pb<40,000ppm
02 2 CONTACTS	3	Orange(RAL2011/P)						0000 Standard @ Logo
03 3 CONTACTS	4	Yellow(RAL1018/A)						000A Standard ANY Logo
...	5	Green(RAL6018/T)						Any special item by
16 16 CONTACTS	6	Blue (RAL5015/A)						customer request,
	8	Grey(RAL7035/D)						please contact sales
								department.

<b>ANYTEK</b>				<b>CUSTOMER COPY</b>				
								ALL RIGHTS RESERVED. REPRODUCTION OR ISSUE TO THIRD PARTIES IN ANY FORM WHATSOEVER IS NOT PERMITTED WITHOUT WRITTEN AUTHORITY FROM THE PROPRIETOR. PROPERTY OF ANYTEK TECHNOLOGY CO., LTD
TITLE		KO 9.52 Series 2P-16P (Double row Pin)						
PART NO.		K0xx21x1xxxxG			DWG NO.		8K00001	
APPROVED		CHECKED	DESIGNED	DRAWN	CUST NO.		Tolerance	
			Runner 2011.04.02	Aaron 2009.10.20			X. ±0.50	
							X.X ±0.30	
							X.XX ±0.10	
							X° ±1°	
					SHEET: 01/01		UNIT: mm	
							SCALE: NONE	
							REV.: E	