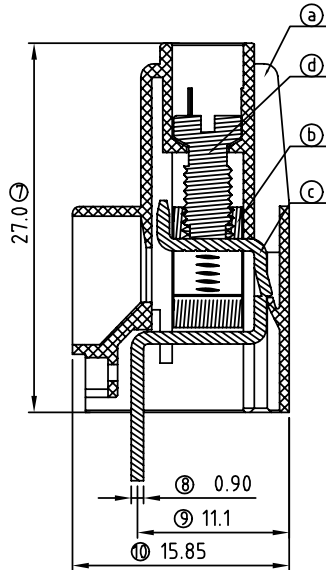
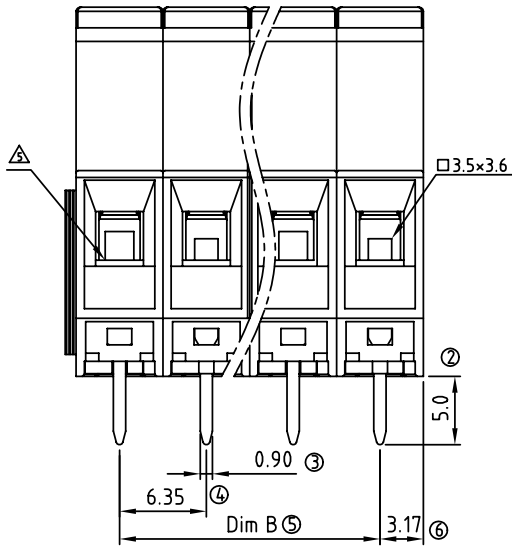
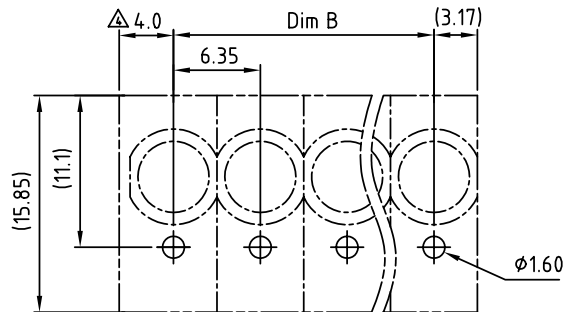


N = Number of poles
 Dim A=Nx6.35
 Dim B=(N-1)x6.35

Poles	Dim A	Dim B
1-6p	±0.20	±0.15
7-12p	±0.30	±0.25
13-16p	±0.40	±0.35



SECTION C-C



PCB LAYOUT

SIGN	DATE	DESCRIPTION	APPROVER
△	09/14/09	Wire guard solder pin is changed from Brass to Copper	Aaron
△	10/20/09	Part NO. is changed	Aaron
△	2010.05.31	Torque is changed from 8.9Lb-in to 5.2Lb-in	Chen Bo
△	2010.05.31	The design is changed	Chen Bo
△	2010.08.11	Clamp is changed	Chen Bo

THIS IS CAD DRAWING, DO NOT REVISE MANUALLY!!!

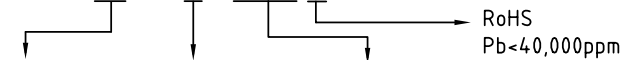
Material:

- Item a Terminal housing:Thermoplastic (UL 94V-0)
- Item b Clamp: Brass Ni plated
- △ ● Item c Wire guard solder pin (Front single row): Copper Tin plated
- Item d Terminal screw: Steel Zinc plating"-slot type

Electrical

- Voltage rating: 300VAC
- Current rating: 30A
- Wire range:
- Solid wire(AWG): 10-24
- Stranded wire(AWG): 10-24
- △ ● Torque(Lb-In):5.2
- Screw: M3.5
- Wire strip length: 8-9mm
- Withstanding Voltage: 1.6KV
- Operating temperature: -40°C to +115°C
- Soldering temperature: 250°C±10°C/5 Sec
- Safety Approval: us

△ KP xx 0 1 x 2 xxxx G



No. of poles end	0	Black (RAL9005)	0000 Standard @ Logo
stackable design	2	Red (RAL3001/D)	000A Standard ANY Logo
01 1 CONTACTS	3	Orange(RAL2011/P)	Any special item by customer request, please contact sales department.
02 2 CONTACTS	4	Yellow(RAL1018/A)	
... ..	5	Green(RAL6018/T)	
16 16 CONTACTS	6	Blue (RAL5015/A)	
	8	Grey(RAL7035/D)	

RoHS
Pb<40,000ppm

<h1>ANYTEK</h1>				<h2>CUSTOMER COPY</h2>			
ALL RIGHTS RESERVED. REPRODUCTION OR ISSUE TO THIRD PARTIES IN ANY FORM WHATSOEVER IS NOT PERMITTED WITHOUT WRITTEN AUTHORITY FROM THE PROPRIETOR. PROPERTY OF ANYTEK TECHNOLOGY CO., LTD							
TITLE		KP 6.35 Series front single row (without cover)					
PART NO.		KPxx01x2xxxxG △			DWG NO.		8KP0006
APPROVED		CHECKED	DESIGNED	DRAWN	CUST NO.		Tolerance
				Chen Bo			X. ±0.50
				2010.08.11			UNIT: mm
					SHEET: 01/01	SCALE: NONE	X.XX ±0.10
						REV.: F	X° ±1°