

SIGN	DATE	DESCRIPTION	APPROVER
△	2009.1.7	APPROVAL: cULus	kind
△	11/20'12	Change the screw plating specification	Jacky
△	11/20'12	Change the electrical specification	Jacky

THIS IS CAD DRAWING, DO NOT REVISE MANUALLY!!!

MATERIALS ELECTRICAL  
 RATED VOLTAGE & CURRENT: 300 V, 15 A  
 WITHSTAND VOLTAGE: AC 2000 V/Min  
 INSULATION RESISTANCE: 1000 MΩ OR MORE AT DC 500 V  
 △ OPERATING TEMPERATURE RANGE: -40 °C ~ +115 °C  
 SCREW TORQUE VALUE: 5.2 Lb-in.  
 WIRE RANGE: 14 ~ 22 AWG  
 1) MOLDED PARTS: THERMOPLASTIC, UL 94 V-0 BLACK  
 2) TERMINAL: BRASS, 0.8t, Tin PLATED  
 △ 3) TERMINAL SCREWS: STEEL, M3

△ APPROVAL: cULus  
 PART No.:  
 Critical dimension: ▽

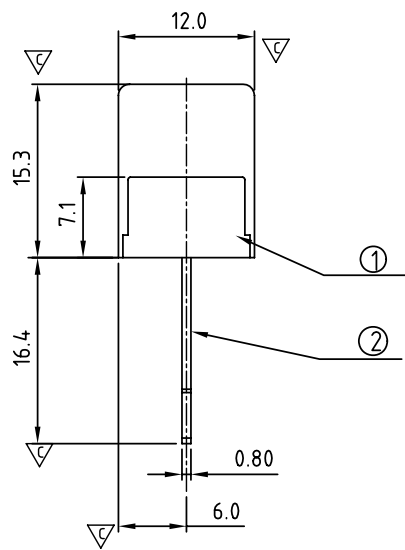
YK 306xx 3 x x 00G

NO. OF POLES  
 02: 2 POLES  
 03: 3 POLES  
 04: 4 POLES  
 ...  
 18: 18 POLES

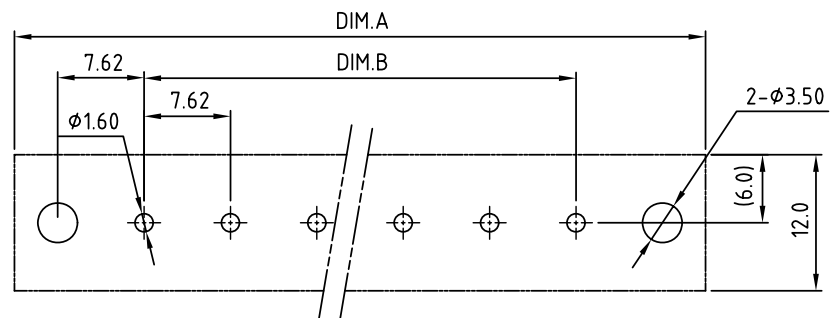
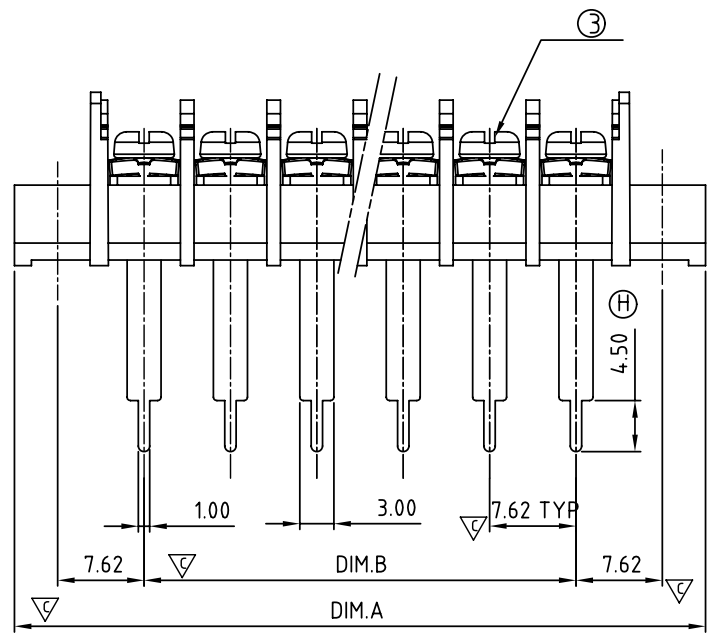
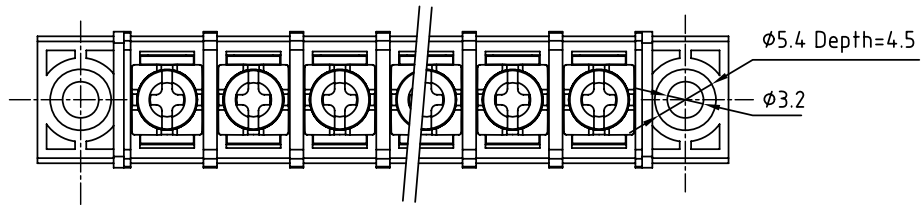
G:RoHS compliant(lead<4%)  
 in copper alloy

MARK  
 0: "0" MAK  
 1: "ANY" MAK

TERMINAL & SCREW PLATED  
 0: TERMINAL & SCREW: G/F  
 △ 1: TERMINAL: G/F, SCREW: Zinc  
 2: TERMINAL: Sn, SCREW: G/F  
 △ 3: TERMINAL: Sn, SCREW: Zinc



DIM	TOL			
	2P-4P	5P-10P	11P-16P	17P-18P
Dim A (N+2)×7.62	±0.20	±0.30	±0.40	±0.50
Dim B (N-1)×7.62	±0.20	±0.30	±0.40	±0.50



P.C.B LAYOUT (Top View)

**ANYTEK**

**CUSTOMER COPY**

ALL RIGHTS RESERVED. REPRODUCTION OR ISSUE TO THIRD PARTIES IN ANY FORM WHATSOEVER IS NOT PERMITTED WITHOUT WRITTEN AUTHORITY FROM THE PROPRIETOR. PROPERTY OF ANYTEK TECHNOLOGY CO., LTD

TITLE		YK-306With Flange & W/o cover Series			
PART NO.		YK306xx3xx00G		DWG NO. 8YK0004-306	
APPROVED	CHECKED	DESIGNED	DRAWN	CUST NO.	
		Jacky 2012.11.20	Jacky 2012.11.20		
				Tolerance	
				X. ±0.50	
				X.X ±0.30	
				X.XX ±0.10	
				X° ±1°	
				UNIT: mm	
				SCALE: NONE	
				SHEET: 01/01	
				REV.: C	