

| SIGN | DATE     | DESCRIPTION   | APPROVER |
|------|----------|---|----------|
| △    | 10/17'08 | The dimension changed from 4.0 to 3.2                           | Kind     |
| △    | 10/30'12 | Change the dimensional tolerance                                | Jacky    |
| △    | 10/30'12 | Change the screw plating specification                          | Jacky    |
| △    | 06/03'14 | change the structure  | Guoxue   |
| △    | 06/03'14 | Change the dimensional tolerance                                | Guoxue   |
| △    | 08/26'14 | The dimensional tolerance is change from 15.4±0.30 to 15.4±0.50 | Airy min |

*THIS IS CAD DRAWING, DO NOT REVISE MANUALLY!!!*

N = Number of poles

Dim A = N × 8.25 + 2.0

Dim B = (N - 1) × 8.25

|         | Dim A | Dim B |
|---------|-------|-------|
| 4P      | ±0.30 | ±0.30 |
| 5P-8P   | ±0.40 | ±0.40 |
| 9P-16P  | ±0.50 | ±0.50 |
| 17P-23P | ±0.60 | ±0.60 |
| 24P-30P | ±0.80 | ±0.80 |

MATERIALS ELECTRICAL

RATED VOLTAGE & CURRENT:

300 V, 20 A

WITHSTAND VOLTAGE:

AC 2000 V/Min

INSULATION RESISTANCE:

1000 MΩ OR MORE AT DC 500 V

OPERATING TEMPERATURE RANG:

-40 °C ~ +115 °C

SCREW TORQUE VALUE:

7 Lb-In.

WIRE RANGE:

22 - 12 AWG

1) MOLDED PARTS:

Thermoplastic, UL 94 V-0 BLACK

2) TERMINAL:

BRASS, 0.8t

△ 3) TERMINAL SCREWS:

STEEL, M3

4) COVER MATERIAL:

PC

APPROVAL:  us

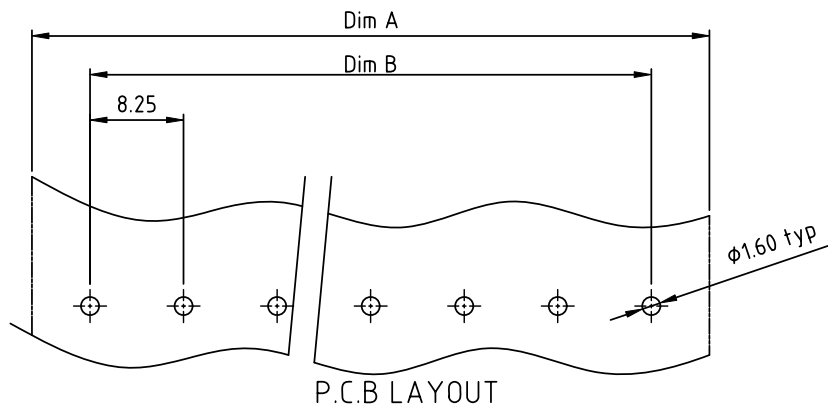
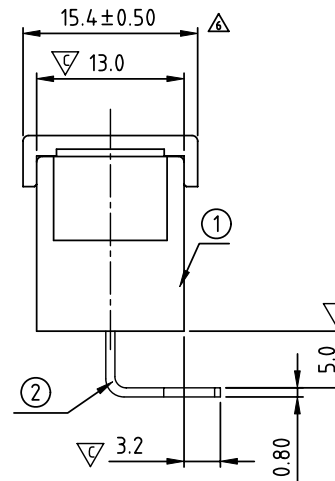
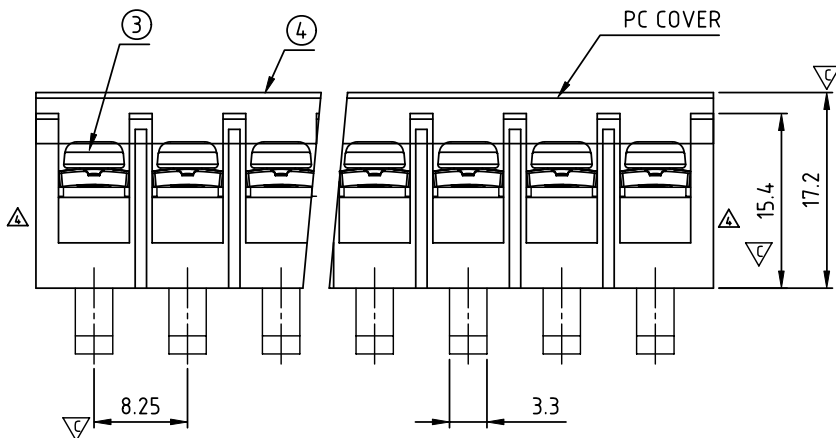
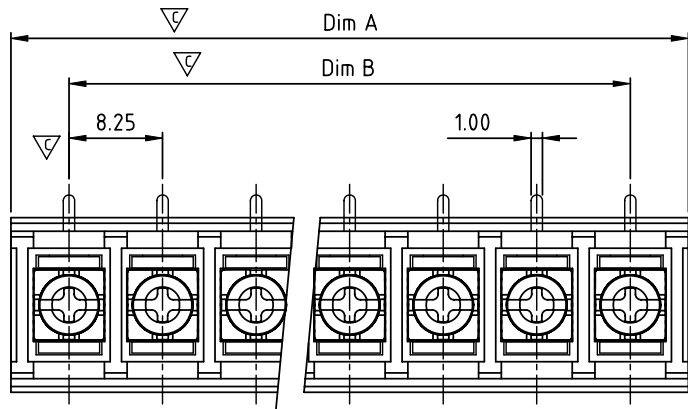
Critical dimension: ▽

PART No.:

YK 401xx 2 x x 00G

△ NO. OF POLES  
 04: 4 POLES  
 05: 5 POLES  
 06: 6 POLES  
 ...  
 30: 30 POLES

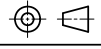
G:RoHS compliant(lead<4%)  
 in copper alloy  
 MARK  
 0: "@ " MAK  
 1: "ANY" MAK  
 TERMINAL & SCREW PLATED  
 0: TERMINAL & SCREW: G/F  
 △ 1: TERMINAL: G/F, SCREW: Zinc  
 2: TERMINAL: Sn, SCREW: G/F  
 △ 3: TERMINAL: Sn, SCREW: Zinc



**ANYTEK**

**CUSTOMER COPY**

ALL RIGHTS RESERVED. REPRODUCTION OR ISSUE TO THIRD PARTIES IN ANY FORM WHATSOEVER IS NOT PERMITTED WITHOUT WRITTEN AUTHORITY FROM THE PROPRIETOR. PROPERTY OF ANYTEK TECHNOLOGY CO., LTD

|          |         |                                   |                        |   |             |
|----------|---------|-----------------------------------|------------------------|---|-------------|
| TITLE    |         | YK-401 With Cover Series (4P-30P) |                        |   |             |
| PART NO. |         | YK401xx2xx00G                     |                        | DWG NO.   | 8YK0001-401 |
| APPROVED | CHECKED | DESIGNED                          | DRAWN                  | CUST NO.  |             |
|          |         | Airy min<br>2014.08.26            | Airy min<br>2014.08.26 |  UNIT: mm<br>SCALE: NONE<br>SHEET: 01/01 REV.: G |             |
|          |         |                                   |                        | Tolerance<br>X. ±0.50<br>X.X ±0.30<br>X.XX ±0.10<br>X° ±1°  |             |