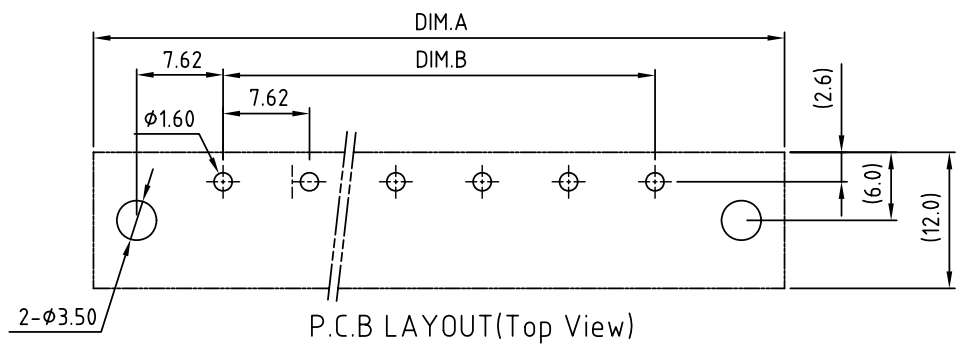
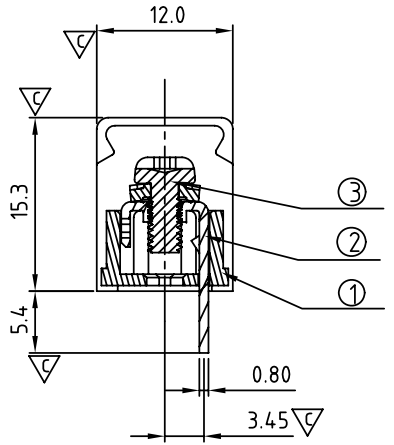
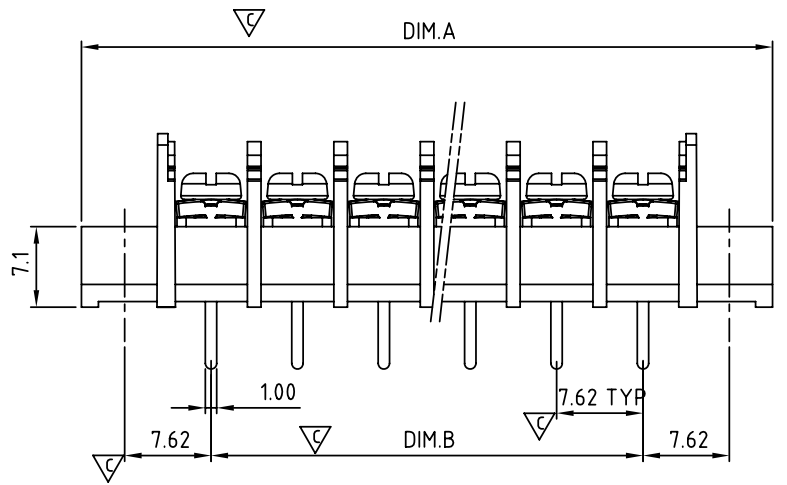
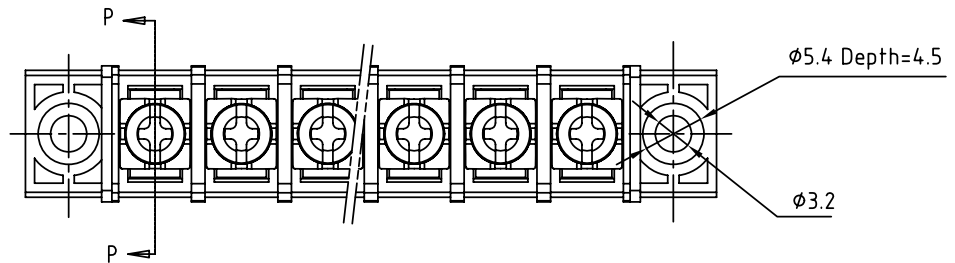


SIGN	DATE	DESCRIPTION	APPROVER
△	2009.1.7	APPROVAL: cULus	Kind
△	11/20'12	Change the screw plating specification	Jacky
△	11/20'12	Change the electrical specification	Jacky
△	01/08'13	Update the drawing	Jacky

THIS IS CAD DRAWING, DO NOT REVISE MANUALLY!!!



MATERIALS ELECTRICAL
 RATED VOLTAGE & CURRENT: 300 V, 15 A
 WITHSTAND VOLTAGE: AC 2000 V/Min
 INSULATION RESISTANCE: 1000 MΩ OR MORE AT DC 500 V
 △ OPERATING TEMPERATURE RANGE: -40 °C ~ +115 °C
 SCREW TORQUE VALUE: 6.0Kgf.cm
 WIRE RANGE: 14 ~ 22 AWG
 1) MOLDED PARTS: THERMOPLASTIC, UL 94 V-0 BLACK
 2) TERMINAL: BRASS, 0.8t, Tin PLATED
 △ 3) TERMINAL SCREWS: STEEL, M3

△ APPROVAL: cULus
 Critical dimension:

PART No.: YK 302xx 3 x x 00G
 G RoHS compliant (lead<4%) In copper Alloy

NO. OF POLES
 02: 2 POLES
 03: 3 POLES
 04: 4 POLES
 ...
 18: 18 POLES

MARK
 0: "@ " MAK
 1: "ANY" MAK

TERMINAL & SCREW PLATED
 0: TERMINAL & SCREW: G/F
 △ 1: TERMINAL: G/F, SCREW: Zinc
 2: TERMINAL: Sn, SCREW: G/F
 △ 3: TERMINAL: Sn, SCREW: Zinc

DIM	TOL			
	2P-4P	5P-10P	11P-16P	17P-20P
△ Dim A (N+2)×7.62	±0.20	±0.30	±0.40	±0.50
Dim B (N-1)×7.62	±0.20	±0.30	±0.40	±0.50

ANYTEK

CUSTOMER COPY
ALL RIGHTS RESERVED. REPRODUCTION OR ISSUE TO THIRD PARTIES IN ANY FORM WHATSOEVER IS NOT PERMITTED WITHOUT WRITTEN AUTHORITY FROM THE PROPRIETOR. PROPERTY OF ANYTEK TECHNOLOGY CO., LTD

TITLE		YK-302 With Flange & W/o cover Series			
PART NO.	YK302xx3xx00G	DWG NO.	8YK0004-302		
APPROVED	CHECKED	DESIGNED	DRAWN	CUST NO.	Tolerance
		Jacky 2013.01.08	Jacky 2013.01.08		X. ±0.50 X.X ±0.30 X.XX ±0.10 X° ±1°
				SHEET: 01/01	UNIT: mm SCALE: NONE REV.: D