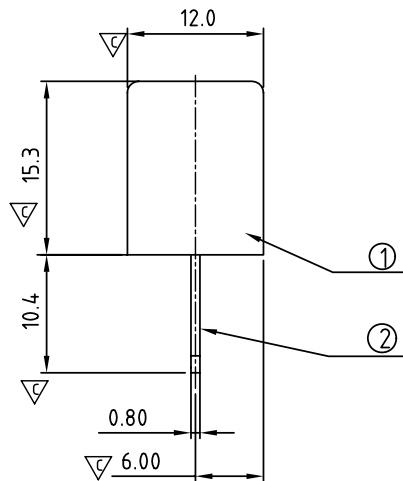
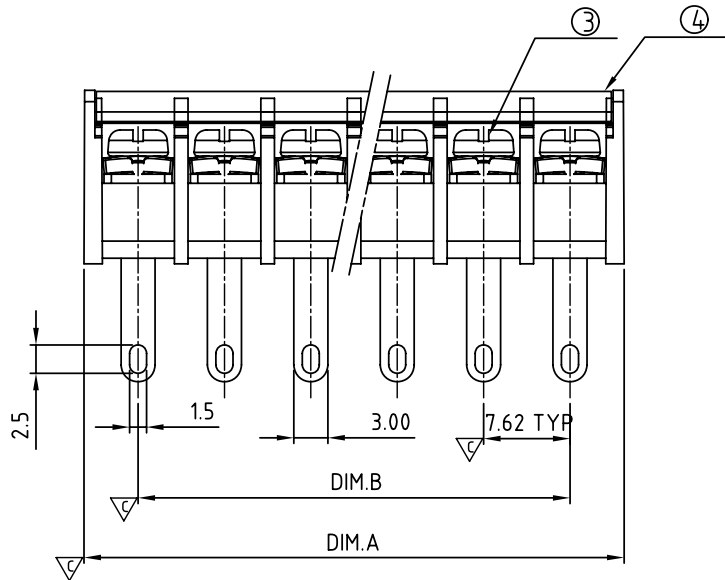
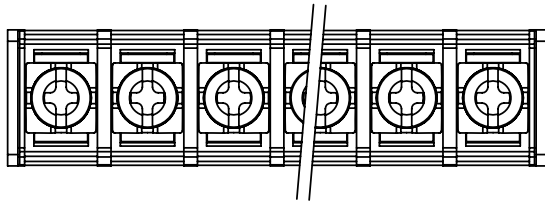


SIGN	DATE	DESCRIPTION	APPROVER
△	2009.1.7	APPROVAL: cULus	Kind
△	2009.7.3	COVER TRANSPARENT PVC TO PC	Aaron
△	11/20'12	Change the screw plating specification	Jacky
△	11/20'12	Change the electrical specification	Jacky
THIS IS CAD DRAWING, DO NOT REVISE MANUALLY!!!			



MATERIALS ELECTRICAL
 RATED VOLTAGE & CURRENT: 300 V, 15 A
 WITHSTAND VOLTAGE: AC 2000 V/Min
 INSULATION RESISTANCE: 1000 MΩ OR MORE AT DC 500 V
 △ OPERATING TEMPERATURE RANGE: -40 °C ~ +115 °C
 SCREW TORQUE VALUE: 6.0Kgf.cm
 WIRE RANGE: 14 ~ 22 AWG
 1) MOLDED PARTS: THERMOPLASTIC, UL 94 V-0 BLACK
 2) TERMINAL: BRASS, 0.8t, Tin PLATED
 △ 3) TERMINAL SCREWS: STEEL, M3
 △ 4) COVER: TRANSPARENT, PC

APPROVAL: us

Critical dimension: ▽

PART No.:

YK 305xx 2 x x 00G

NO. OF POLES
 02: 2 POLES
 03: 3 POLES
 04: 4 POLES
 :
 20: 20 POLES

G:RoHS compliant(lead<4%)
 in copper alloy

MARK

0: "@ " MAK
 1: "ANY" MAK

TERMINAL & SCREW PLATED

0: TERMINAL & SCREW: G/F
 △ 1: TERMINAL: G/F, SCREW: Zinc
 2: TERMINAL: Sn, SCREW: G/F
 △ 3: TERMINAL: Sn, SCREW: Zinc

DIM		TOL			
		2P-4P	5P-10P	11P-16P	17P-20P
Dim A	(N-1)×7.62+9.54	±0.20	±0.30	±0.40	±0.50
Dim B	(N-1)×7.62	±0.20	±0.30	±0.40	±0.50

ANYTEK

CUSTOMER COPY

ALL RIGHTS RESERVED. REPRODUCTION OR ISSUE TO THIRD PARTIES IN ANY FORM WHATEVER IS NOT PERMITTED WITHOUT WRITTEN AUTHORITY FROM THE PROPRIETOR. PROPERTY OF ANYTEK TECHNOLOGY CO., LTD

TITLE		YK-305 With cover & W/o Flange Series			
PART NO.		YK305xx2xx00G		DWG NO. 8YK0003-305	
APPROVED	CHECKED	DESIGNED	DRAWN	CUST NO.	
		Jacky 2012.11.20	Jacky 2012.11.20		
				Tolerance	
				X. ±0.50	
				X.X ±0.30	
				X.XX ±0.10	
				X° ±1°	
				UNIT: mm	
				SCALE: NONE	
				SHEET: 01/01	
				REV.: D	