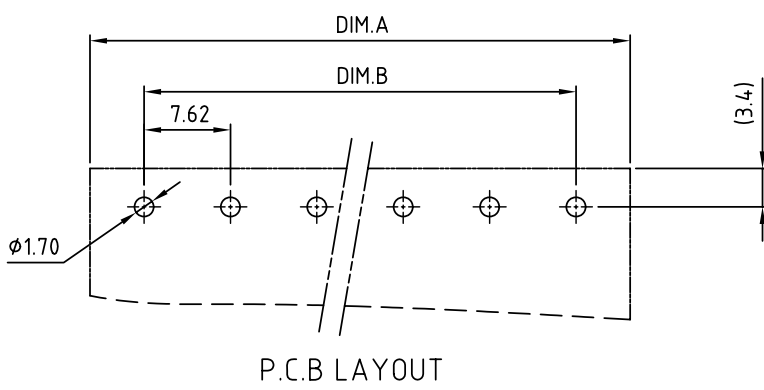
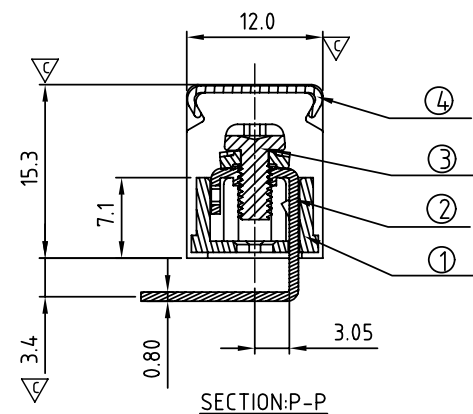
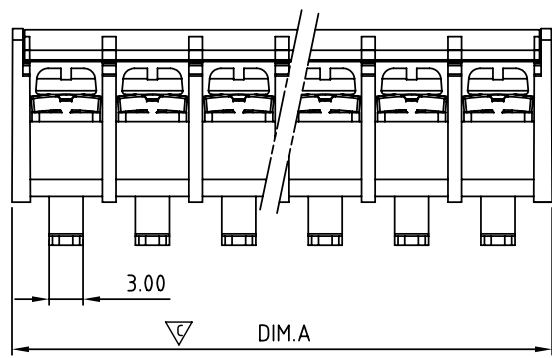
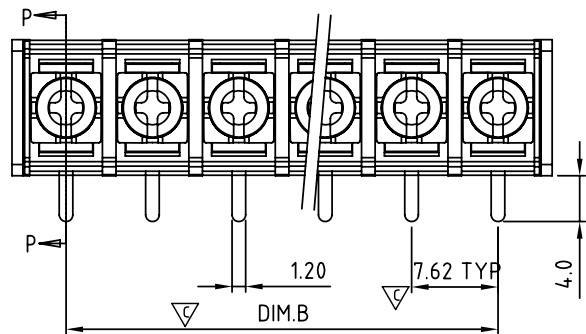


SIGN	DATE	DESCRIPTION	APPROVER
△	2009.1.7	APPROVAL: cULus	Kind
△	2009.7.3	COVER TRANSPARENT PVC TO PC	Aaron
△	11/20'12	Change the screw plating specification	Jacky
△	11/20'12	Change the electrical specification	Jacky

THIS IS CAD DRAWING, DO NOT REVISE MANUALLY!!!



MATERIALS ELECTRICAL
RATED VOLTAGE & CURRENT: 300 V, 15 A
WITHSTAND VOLTAGE: AC 2000 V/Min
INSULATION RESISTANCE: 1000 MΩ OR MORE AT DC 500 V
△ OPERATING TEMPERATURE RANGE: -40 °C ~ +115 °C
SCREW TORQUE VALUE: 6.0Kgf.cm
WIRE RANGE: 14 ~ 22 AWG
1) MOLDED PARTS: THERMOPLASTIC, UL 94 V-0 BLACK
2) TERMINAL: BRASS, 0.8t, Tin PLATED
△ 3) TERMINAL SCREWS: STEEL, M3
△ 4) COVER: TRANSPARENT, PC

APPROVAL: **us**
 Critical dimension: ▽

PART No.: YK 301xx 2 x x 00G

NO. OF POLES
 02: 2 POLES
 03: 3 POLES
 04: 4 POLES
 ...
 20:20 POLES

G:RoHS compliant(lead<4%)
 in copper alloy
MARK
 0: "@ " MAK
 1: "ANY" MAK
TERMINAL & SCREW PLATED
 0: TERMINAL & SCREW: G/F
 △ 1: TERMINAL: G/F, SCREW: Zinc
 2: TERMINAL: Sn, SCREW: G/F
 △ 3: TERMINAL: Sn, SCREW: Zinc

DIM	TOL				
	2P-4P	5P-10P	11P-16P	17P-20P	
Dim A	(N-1)×7.62+9.54	±0.20	±0.30	±0.40	±0.50
Dim B	(N-1)×7.62	±0.20	±0.30	±0.40	±0.50

ANYTEK

CUSTOMER COPY
ALL RIGHTS RESERVED. REPRODUCTION OR ISSUE TO THIRD PARTIES IN ANY FORM WHATSOEVER IS NOT PERMITTED WITHOUT WRITTEN AUTHORITY FROM THE PROPRIETOR. PROPERTY OF ANYTEK TECHNOLOGY CO., LTD

TITLE		YK-301 W/O Flange & with cover Series				
PART NO.	YK301xx2xx00G	DWG NO.	8YK0003-301			
APPROVED	CHECKED	DESIGNED	DRAWN	CUST NO.	Tolerance	
		Jacky 2012.11.20	Jacky 2012.11.20		X. ±0.50	
					UNIT: mm	X.X ±0.30
					SCALE: NONE	X.XX ±0.10
				SHEET: 01/01	REV.: D	