

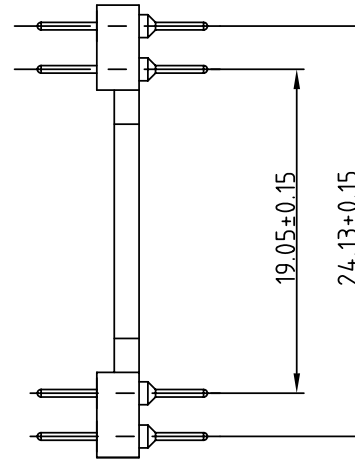
SIGN	DATE	DESCRIPTION	APPROVER
△			

THIS IS CAD DRAWING, DO NOT REVISE MANUALLY!!!

SB Series

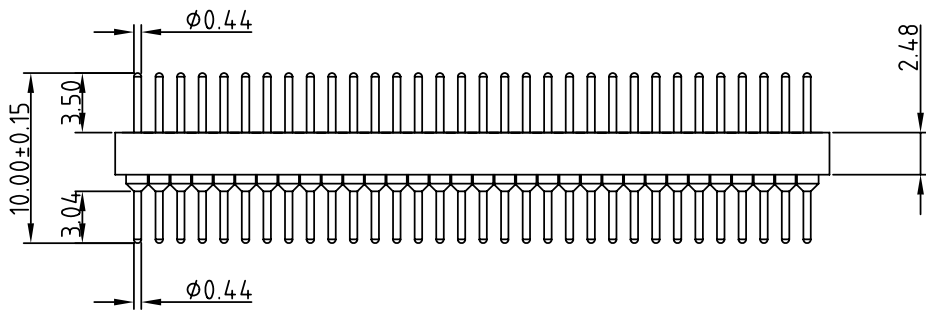
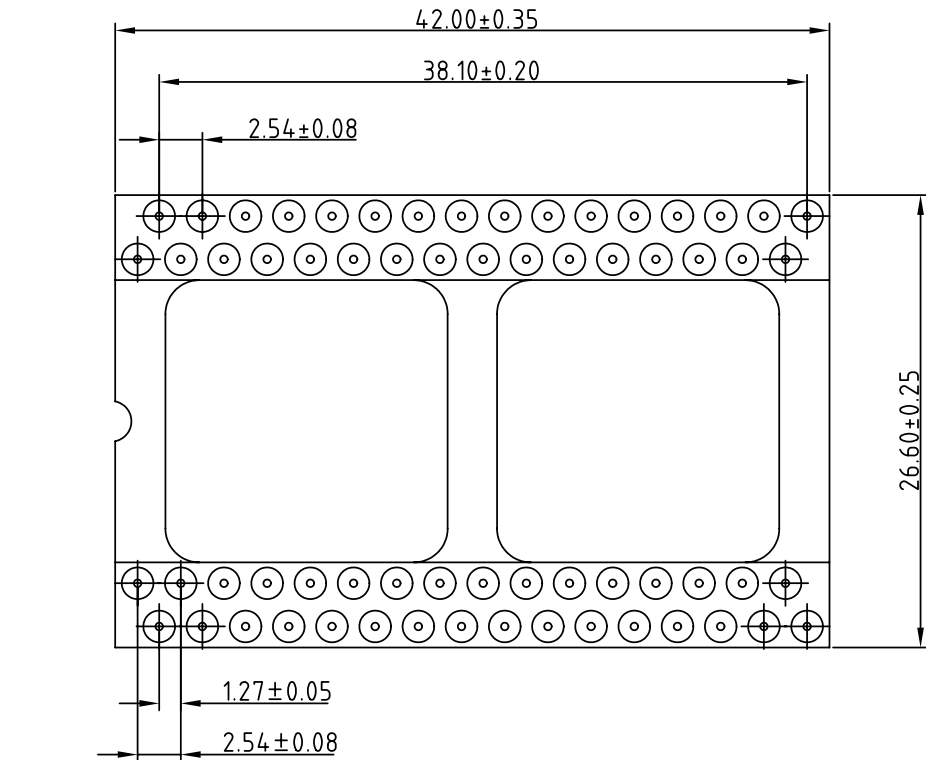
Technical Data

- ◆ Material:
 - Pin (outer sleeve) : Brass,machined, CuZn38Pb2
 - Plating : Tin plated : 2um/80u"nickel,5um/200u"Tin
 - Gold plated: 2um/80 u"nickel,full gold
 - Glass filled polyester UL94V-0
- ◆ Insulator body(black) :
- ◆ Electrical
 - Current rating : 3 Amps/contact max.
 - Insulation resistance : $\geq 10000M\Omega$ at 500VAC
 - Rated voltage : 100 VRMS /150VDC
- ◆ Mechanical
 - Operating temperature : Gold plated: $-550^{\circ}C$ to $+125^{\circ}C$
 - (Continuous) $-67^{\circ}F$ to $+257^{\circ}F$
 - Tin plated: $-40^{\circ}C$ to $+105^{\circ}C$
- ◆ Applications and features:
 - 1.The male header contacts are designed for "Sandwich application" because The pin of $\Phi 0.5mm/0.050"$ can be plugged into a standard IC-contact.
 - 2.3 different heights are available.
 - 3.Low profile type..
 - 4.Side and end stackable.
 - 5.Twist free construction.
- ◆ Environmental data
 - Solderability (IEC 60068-2-20. Ta) : $235^{\circ}C$, 2s
 - Resistance to soldering heat (IEC 60068-2-20. Tb) :
-Through hole mount components : $260^{\circ}C$, 10s



SB - 64 7 0 X 0 0 0 0 G

pin plated: Code	Pin plated
0	Tin 200u"
1	Gold flash
2	Gold 10u"
3	Gold 30u"



ANYTEK				CUSTOMER COPY			
ALL RIGHTS RESERVED. REPRODUCTION OR ISSUE TO THIRD PARTIES IN ANY FORM WHATSOEVER IS NOT PERMITTED WITHOUT WRITTEN AUTHORITY FROM THE PROPRIETOR. PROPERTY OF ANYTEK TECHNOLOGY CO., LTD							
TITLE	SB 4 Rows 64P IC/Socket 成器圖			DWG NO.	8SB0701		
PART NO.	SB6470X00000G			CUST NO.			
APPROVED	CHECKED	DESIGNED	DRAWN	Tolerance			
		Seamus 2009.02.11	Seamus 2009.02.11		UNIT: mm	X.	±0.50
					SCALE: NONE	X.X	±0.30
				SHEET: 01/01	REV.: B	X.XX	±0.10
						X*	±1*