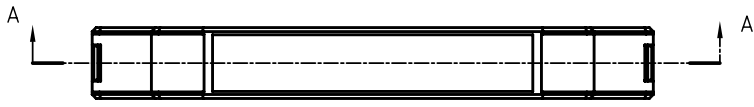
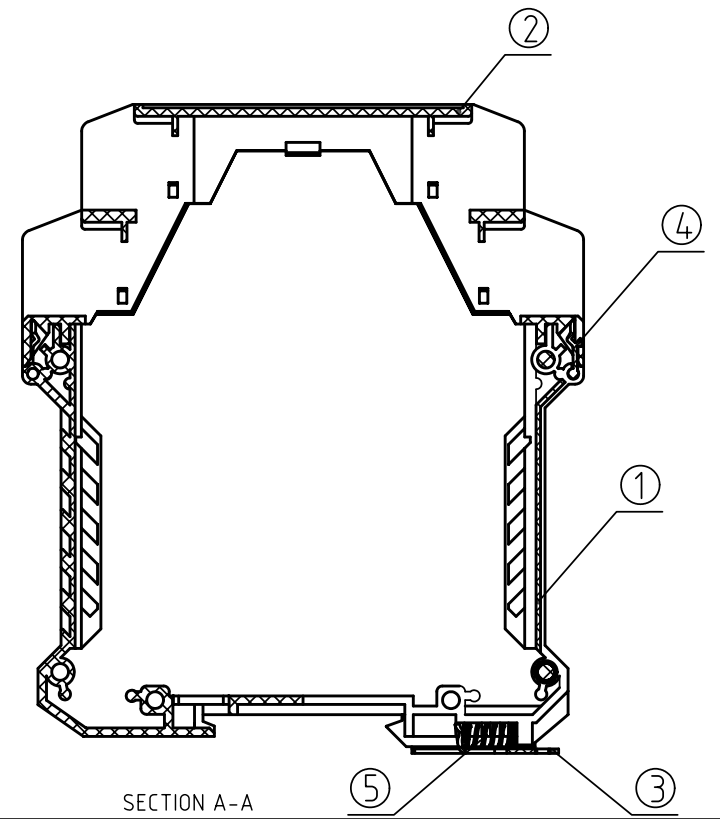
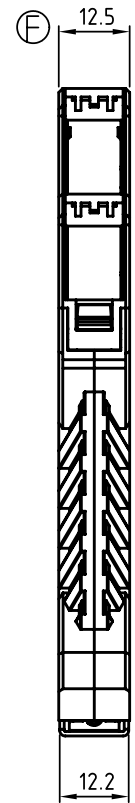
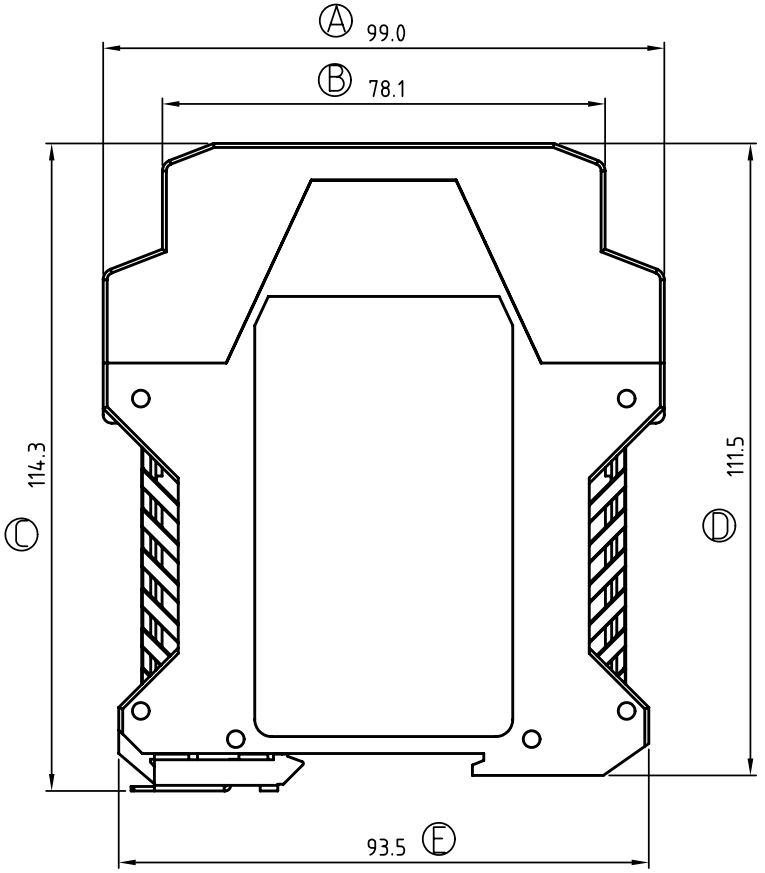


SIGN	DATE	DESCRIPTION	APPROVER
△			
THIS IS CAD DRAWING, DO NOT REVISE MANUALLY!!!			

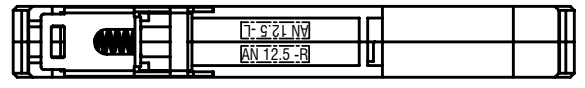


Material:

- Item 1: Terminal body Thermoplastic (UL94 V-0)
- Item 2: Terminal cover Thermoplastic (UL94 V-0)
- Item 3: Dinrail wire guard: Steel Zinc plated
- Item 4: Terminal card Thermoplastic (UL94 V-0)
- Item 5: Spring: Stainless steel



SECTION A-A



ANYTEK				CUSTOMER COPY			
ALL RIGHTS RESERVED. REPRODUCTION OR ISSUE TO THIRD PARTIES IN ANY FORM WHATSOEVER IS NOT PERMITTED WITHOUT WRITTEN AUTHORITY FROM THE PROPRIETOR. PROPERTY OF ANYTEK TECHNOLOGY CO., LTD							
TITLE		AN 2P series					
PART NO.		AN0200500000G		DWG NO.		8AN0101	
APPROVED		CHECKED		DESIGNED		DRAWN	
				Runner		Runner	
				2012.02.01		2012.02.01	
						Tolerance	
						UNIT: mm	
				SHEET: 01/01		SCALE: NOTE	
				REV.: A1		X.XX ±0.10	
						X° ±1°	