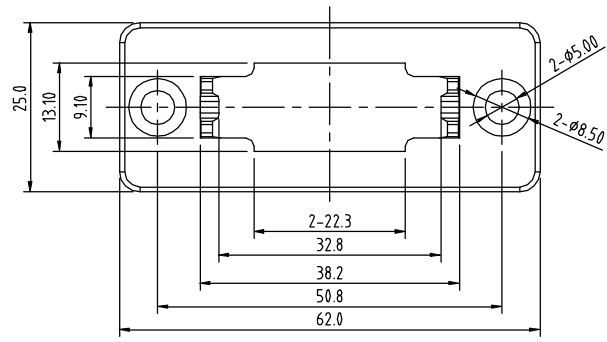
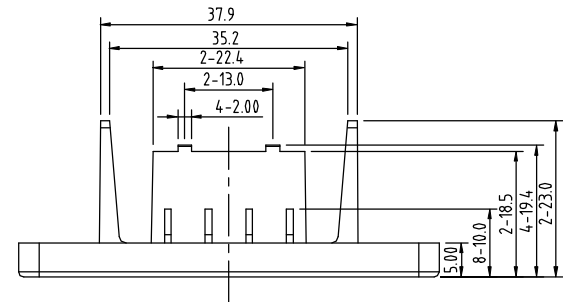
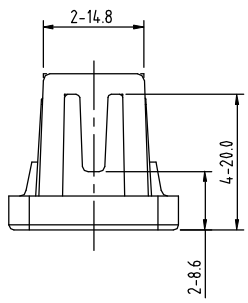
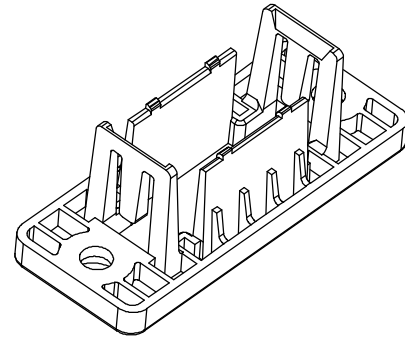
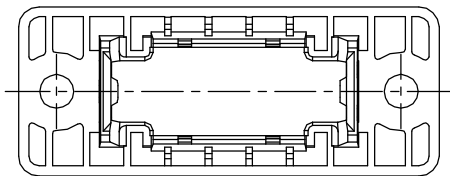


SIGN	DATE	DESCRIPTION	APPROVER
△			
THIS IS CAD DRAWING, DO NOT REVISE MANUALLY!!!			



Note:
 1. MATERIAL: NL66 ,0%GF, GREEN (RAL6018/T), UL94V-0
 2. 環保要求須符合: ANYTEK GP-00-002 環境禁限用物質管理技術標準

ANYTEK				CUSTOMER COPY		
ALL RIGHTS RESERVED. REPRODUCTION OR ISSUE TO THIRD PARTIES IN ANY FORM WHATSOEVER IS NOT PERMITTED WITHOUT WRITTEN AUTHORITY FROM THE PROPRIETOR. PROPERTY OF ANYTEK TECHNOLOGY CO., LTD.						
TITLE	AQ HOLDER (MATCH WITH KK10.16 2P)					
PART NO.	AQ0000500000G	DWG NO.	8AQ0001			
APPROVED	CHECKED	DESIGNED	DRAWN	CUST NO.	Tolerance	
		Chenhao 2015/5/11	Chenhao 2015/5/11		UNIT: mm	X. ±0.50
					SCALE: NONE	X.XX ±0.30
				SHEET: 01/01	REV.: A0	X° ±1°