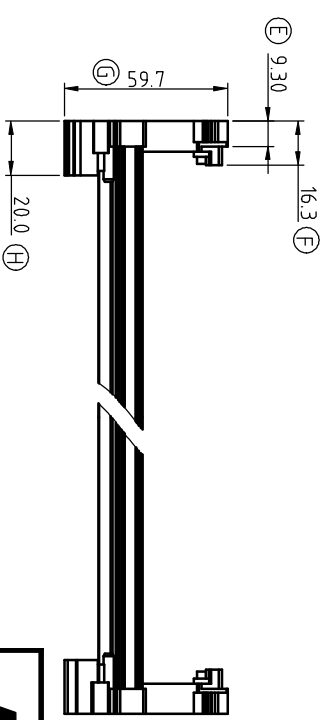
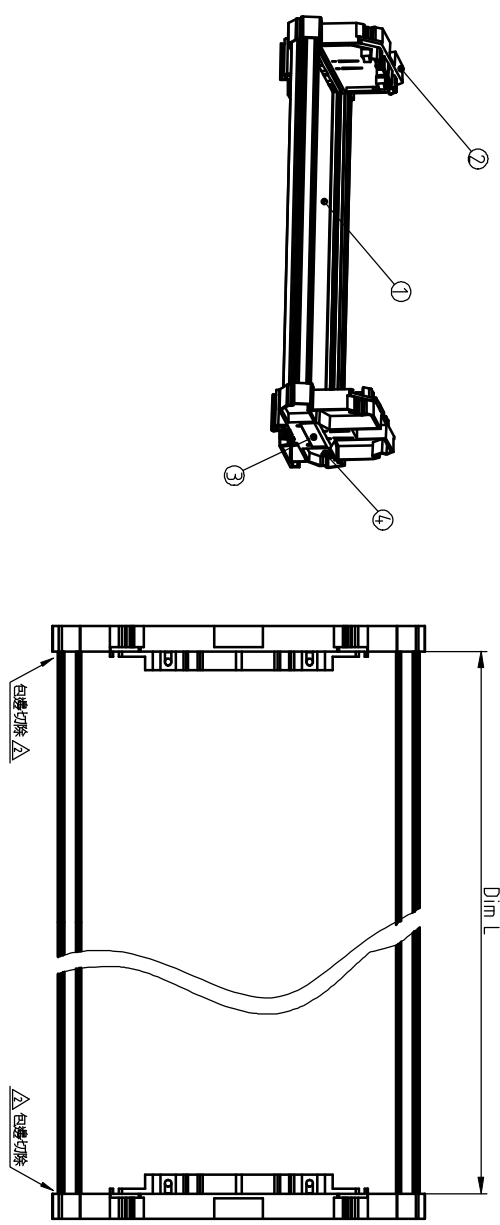


| | | | |
|------|----------|---|----------|
| SIGN | DATE | DESCRIPTION | APPROVER |
| △ | 09/11/13 | The Dimension is changed from :12.5±0.05 to 12.5±0.00/-0.10 | Seamus |
| △ | 09/11/13 | 包邊切條 | Seamus |

THIS IS CAD DRAWING. DO NOT REVISE MANUALLY!!!

Materials

- Item 1 insulating body PVC (UL94V-0)
 - Item 2 insulating side Cover (left) Thermoplastic (UL94V-0)
 - Item 3 insulating side Cover (right) Thermoplastic (UL94V-0)
 - Item 4 Screw(Pa3.0x12) Steel, Zinc & Ni plated
- Remark
 DIM L=(PCB)L-3.8mm
 PCB Width:122.2+0.00/-0.10mm △
 PCB thick : 1.6±0.10mm



AL XXXX X 4 XXXX G
 PCB L 5 Green 000A ANY MARK

ANYTEK

CUSTOMER COPY

ALL RIGHTS RESERVED. REPRODUCTION OR ISSUE TO THIRD PARTIES IN ANY FORM WHATSOEVER IS NOT PERMITTED WITHOUT WRITTEN AUTHORITY FROM THE PROPRIETOR. PROPERTY OF ANYTEK TECHNOLOGY CO., LTD

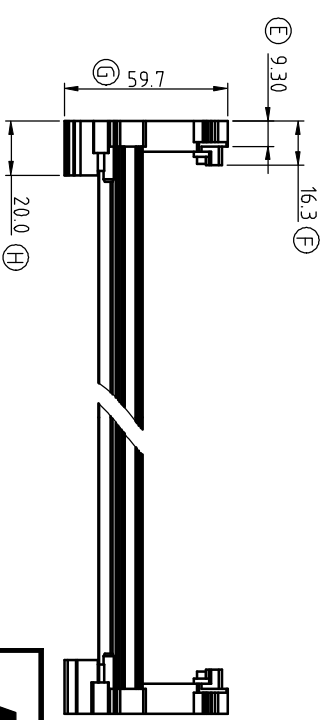
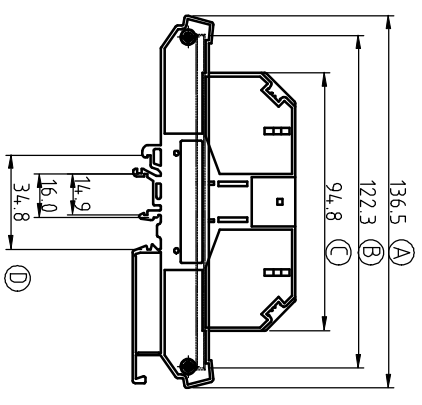
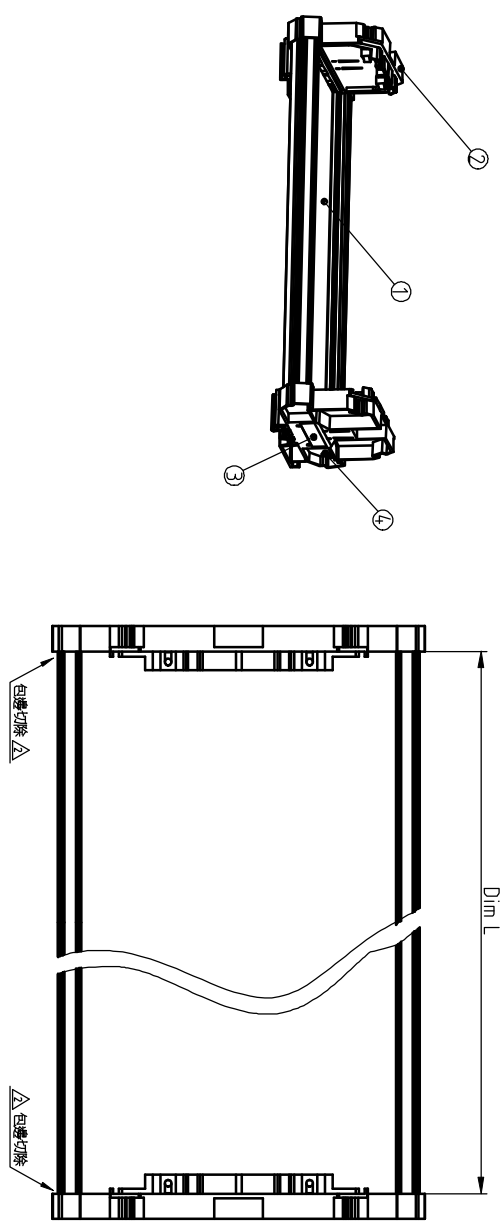
| | | | | | | | | | |
|------------|--|-------------------------------------|--|---------------|--|-------------|--|-----------|-------|
| TITLE | | AL-(122)Series(finished products) | | DWG NO. | | 8AL0001-122 | | Tolerance | |
| PART NO. | | ALxxxx54+xxxxg | | CUST NO. | | | | X | ±0.50 |
| APPROVED | | CHECKED | | DESIGNED | | DRAWN | | X X | ±0.30 |
| Seamus | | Seamus | | Seamus | | Seamus | | X X X | ±0.10 |
| 2013.09.11 | | 2013.09.11 | | 2009.05.05 | | | | X° | ±1° |
| | | | | SHEET : 01/01 | | REV : B | | | |

| | | | |
|------|----------|---|----------|
| SIGN | DATE | DESCRIPTION | APPROVER |
| △ | 09/11/13 | The Dimension is changed from :12.5±0.05 to 12.5±0.00/-0.10 | Seamus |
| △ | 09/11/13 | 包邊切條 | Seamus |

THIS IS CAD DRAWING. DO NOT REVISE MANUALLY!!!

Materials

- Item 1 insulating body PVC (UL94V-0)
 - Item 2 insulating side Cover (left) Thermoplastic (UL94V-0)
 - Item 3 insulating side Cover (right) Thermoplastic (UL94V-0)
 - Item 4 Screw(Pa3.0x12) Steel, Zinc & Ni plated
- Remark
 DIM L=(PCB)L-3.8mm
 PCB Width:122.2+0.00/-0.10mm △
 PCB thick : 1.6±0.10mm



AL XXXX X 4 XXXX G
 PCB L 5 Green 000A ANY MARK

ANYTEK

CUSTOMER COPY

ALL RIGHTS RESERVED. REPRODUCTION OR ISSUE TO THIRD PARTIES IN ANY FORM WHATSOEVER IS NOT PERMITTED WITHOUT WRITTEN AUTHORITY FROM THE PROPRIETOR. PROPERTY OF ANYTEK TECHNOLOGY CO., LTD

| | | | | | | | | | |
|----------|----------------|-------------------------------------|------------|---------|------------|-------------|-------|-----------|-------|
| TITLE | | AL-(122)Series(finished products) | | DWG NO. | | 8AL0001-122 | | Tolerance | |
| PART NO. | ALxxxx54+xxxxG | DESIGNED | Seamus | DRAWN | Seamus | UNIT: | mm | X | ±0.50 |
| CHECKED | Seamus | DESIGNED | Seamus | DRAWN | Seamus | SCALE: | NONE | X X | ±0.30 |
| APPROVED | Seamus | DESIGNED | Seamus | DRAWN | Seamus | REV: | C | X X X | ±0.10 |
| | 2013.09.11 | | 2013.09.11 | | 2009.05.05 | SHEET: | 01/01 | X° | ±1° |