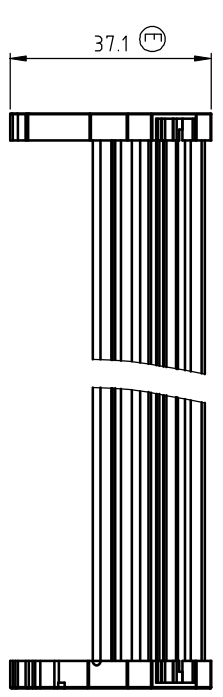
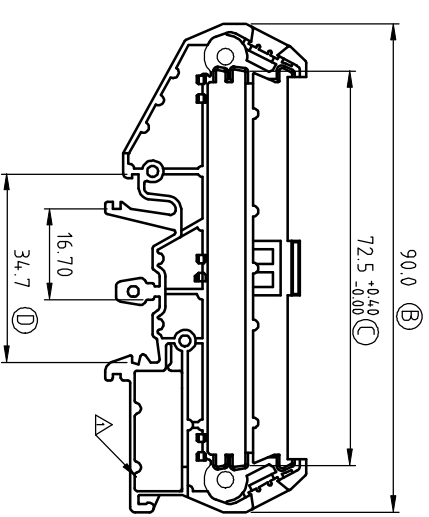
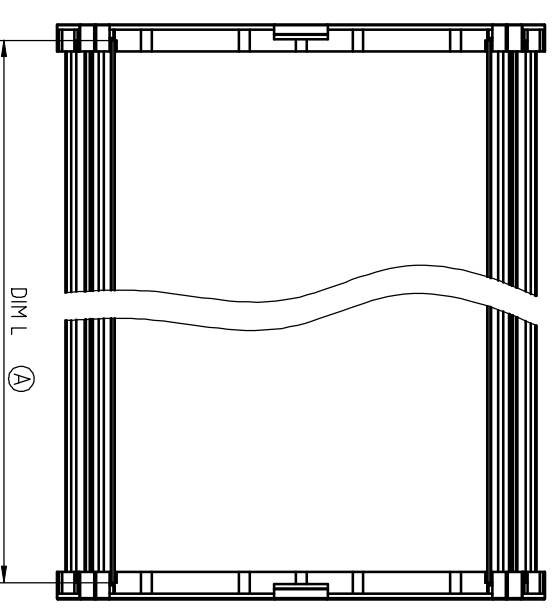
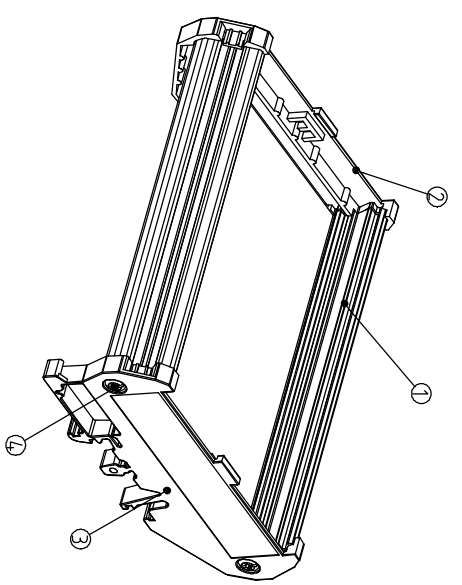


SIGN	DATE	DESCRIPTION	APPROVER
△	05/14/12	Structure changed	Seamus
△	09/11/13	The Dimension is changed from :72.5±0.05 to 72.5+0.00/-0.10	Seamus

THIS IS CAD DRAWING. DO NOT REVISE MANUALLY!!!



- Materials
- Item 1 insulating body Thermoplastic PVC (UL94V-0)
 - Item 2 insulating side Cover (left) Thermoplastic PA (UL94V-0)
 - Item 3 insulating side Cover (right) Thermoplastic PA (UL94V-0)
 - Item 4 Screw(Pa 3.0x12) Steel, Zinc plated

Remark
 DIM L=(PCB)L-3.8mm
 PCB Width: 72.5+0.00/-0.10mm △
 PCB thick : 1.6±0.10mm

AL XXXX X 6 XXXX G
 PCB L 5 Green 000A ANY MARK

ANYTEK		CUSTOMER COPY	
ALL RIGHTS RESERVED. REPRODUCTION OR ISSUE TO THIRD PARTIES IN ANY FORM WHATSOEVER IS NOT PERMITTED WITHOUT WRITTEN AUTHORITY FROM THE PROPRIETOR. PROPERTY OF ANYTEK TECHNOLOGY CO., LTD			
TITLE	AL 2-72 (72mm)	DWG NO.	8A2-72 0001
PART NO.	ALxxxx56000AG	CUST NO.	
APPROVED	CHECKED	DESIGNED	DRAWN
Seamus 09/11/13	Seamus 09/11/13	Tason 03/06/08	
		SHEET: 01/01	REV: D
		UNIT: mm	Tolerance
		SCALE: NONE	X, ±0.50
		REV: D	X X, ±0.30
			X X X, ±0.10
			X°, ±1°

1 2 3 4 5 6 7

A B C D E