

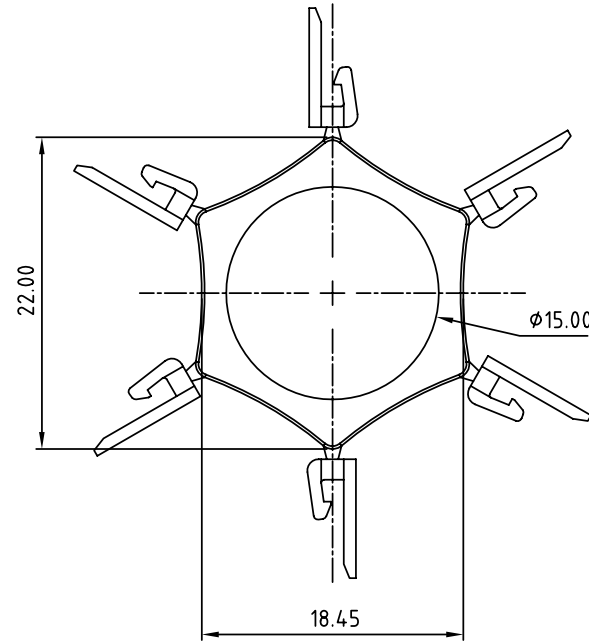
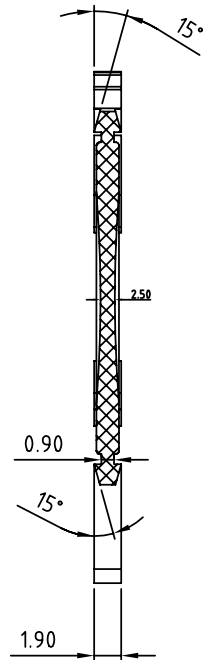
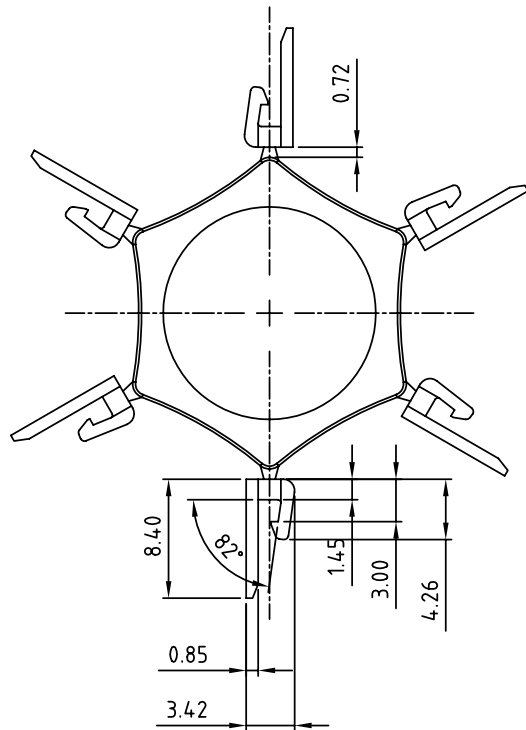
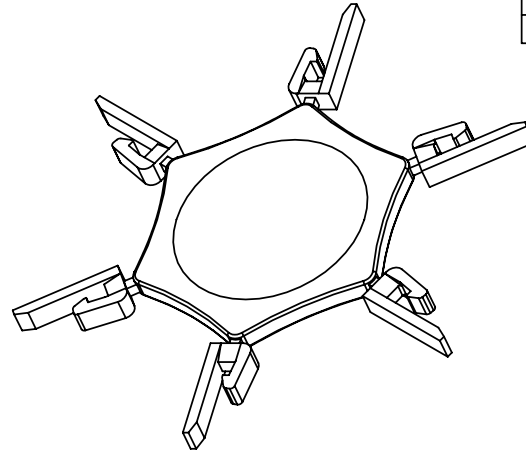
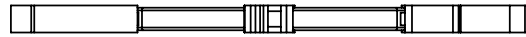
|   |      |             |          |
|---|------|-------------|----------|
| SIGN  | DATE | DESCRIPTION | APPROVER |
| △   |      |             |          |
| <i>THIS IS CAD DRAWING, DO NOT REVISE MANUALLY!!!</i> |      |             |          |

**Material**

● Insulator (housing): Thermoplastic (UL94V-0)

Pitch 5.0/5.08/7.5/7.62

|    |    |    |    |    |    |    |
|----|----|----|----|----|----|----|
|    | OQ | VK | VE | VL | VF | VZ |
| AF | ●  | ●  | ●  | ●  | ●  | ●  |



**ANYTEK**

**CUSTOMER COPY**

ALL RIGHTS RESERVED. REPRODUCTION OR ISSUE TO THIRD PARTIES IN ANY FORM WHATSOEVER IS NOT PERMITTED WITHOUT WRITTEN AUTHORITY FROM THE PROPRIETOR. PROPERTY OF ANYTEK TECHNOLOGY CO., LTD

|          |                      |                      |                      |              |            |
|----------|----------------------|----------------------|----------------------|--------------|------------|
| TITLE    |                      | AF SERIES Key        |                      |              |            |
| PART NO. |                      | AF0000200000G        |                      | DWG NO.      | 8AF0001    |
| APPROVED | CHECKED              | DESIGNED             | DRAWN                | CUST NO.     | Tolerance  |
|          | Marvin<br>2006.04.11 | Marvin<br>2006.04.11 | Marvin<br>2006.04.11 |              | X. ±0.50   |
|          |                      |                      |                      |              | X.X ±0.30  |
|          |                      |                      |                      |              | X.XX ±0.10 |
|          |                      |                      |                      | SHEET: 01/01 | REV.: B    |
|          |                      |                      |                      | UNIT: mm     | X° ±1°     |
|          |                      |                      |                      | SCALE: NONE  |            |