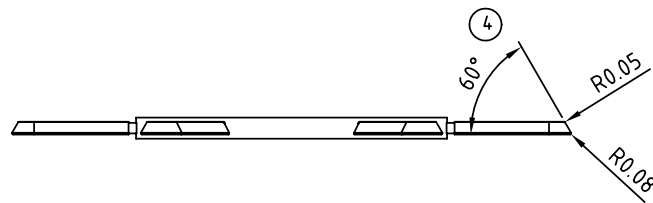
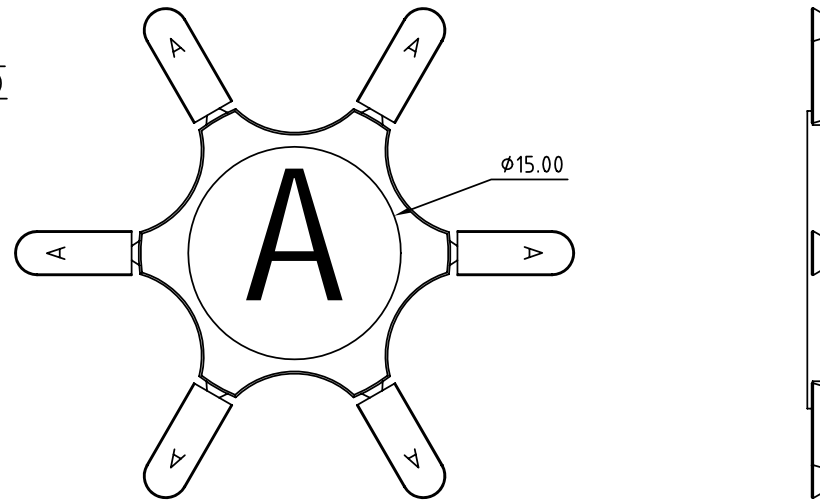
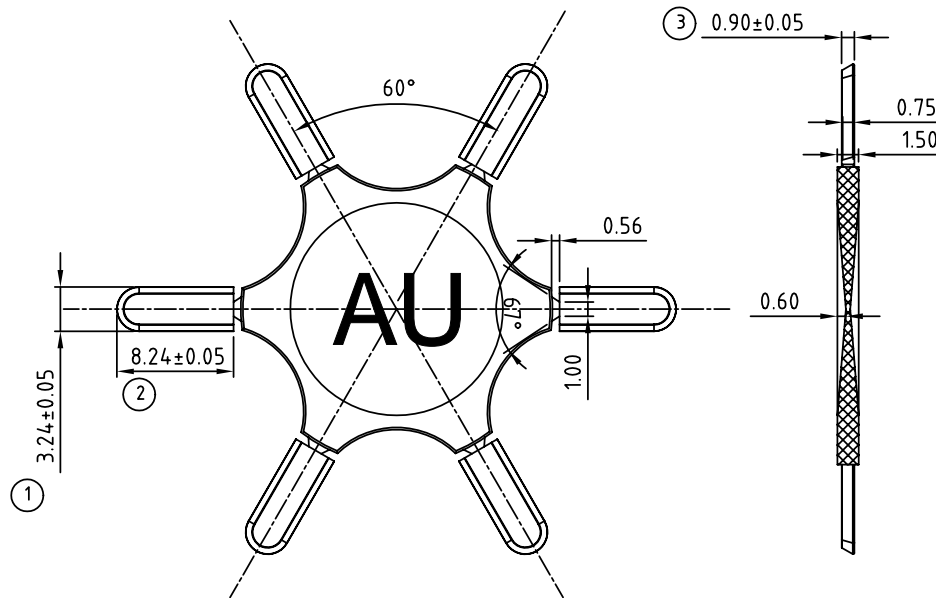


SIGN	DATE	DESCRIPTION	APPROVER
△	2010.09.16	The title is changed from AE to AU	Jacke
△	2010.11.24	RA柄-丑×丑裝治×N邊丑板丑裝治×六丑L丑板 !!增沖/AS/CS!!	Jacke

!!增沖/AS/CS!!
!!AD DRAWING, DO NOT REVISE MANUALLY!!!



Material

- Insulator (housing): Thermoplastic (UL94V-0)
Pitch 5.0/5.08

	TJ	HW
AU	●	●

Note:

- 1:HW Series 只包括HW5.0/5.08 上鉤式,HW5.08 中鉤式
- 2:TJ Series 只包括TJ5.0/5.08 上鉤式
3. A標示為凹字
4. 環保要求須符合: ANYTEK GP-00-002 環境禁限用物質管理技術標準

ANYTEK

CUSTOMER COPY

ALL RIGHTS RESERVED. REPRODUCTION OR ISSUE TO THIRD PARTIES IN ANY FORM WHATSOEVER IS NOT PERMITTED WITHOUT WRITTEN AUTHORITY FROM THE PROPRIETOR. PROPERTY OF ANYTEK TECHNOLOGY CO., LTD

TITLE		AU SERIES Key △			DWG NO.		8AU0001	
PART NO.		AU0000200000G			DWG NO.		8AU0001	
APPROVED	CHECKED	DESIGNED	DRAWN	CUST NO.		Tolerance		
		Jacke 2010.11.24	Jacke 2010.09.16			UNIT: mm	X.	±0.50
						SCALE: NONE	X.X	±0.30
SHEET: 01/01				REV.: C		X.XX	±0.10	
						X°	±1°	