

SIGN	DATE	DESCRIPTION	APPROVER
△	2.17.09	The dimension is changed from 2.58,3.5,60° to 3.0,3.6,72°.	Kind
△	2010.04.29	The design is changed	Jacke

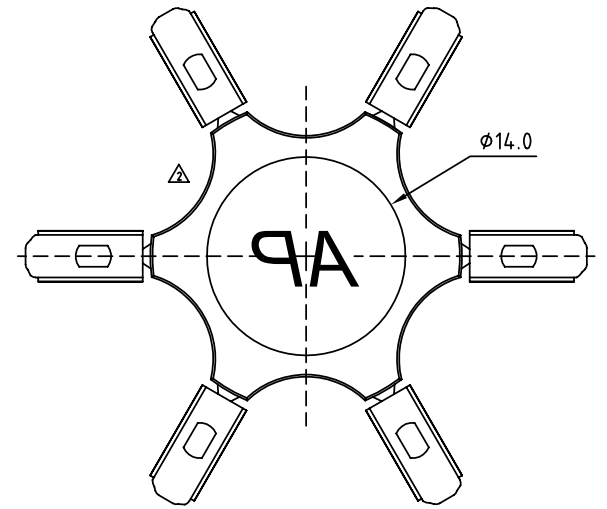
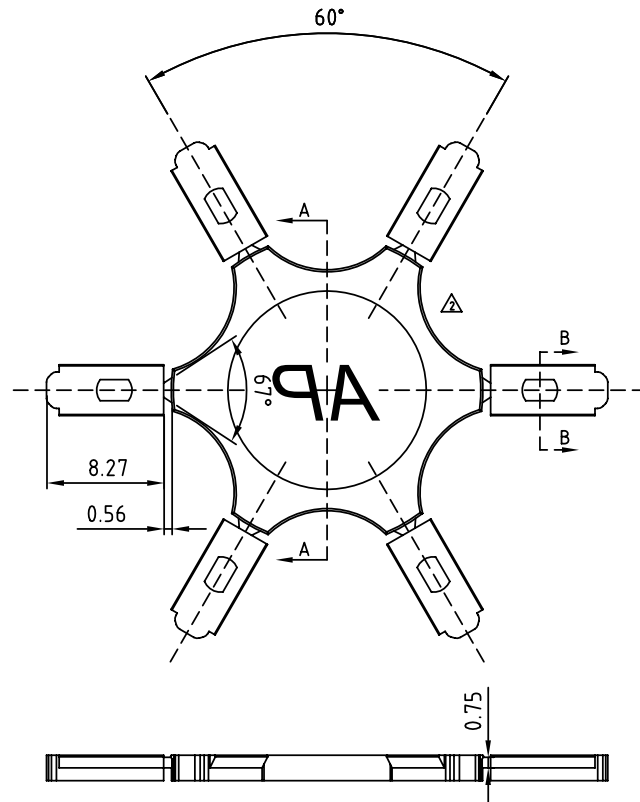
*THIS IS CAD DRAWING, DO NOT REVISE MANUALLY!!!*

**Material**

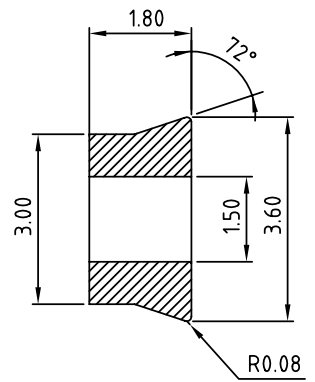
● Insulator (housing): Thermoplastic (UL94V-0)

Pitch 7.62/10.16

	VB	VC	ET	KK	KJ	KL	EV	EW
AP	●	●	●	●	●	●	●	●



Section A-A



Section B-B

<b>ANYTEK</b>				<b>CUSTOMER COPY</b>			
				ALL RIGHTS RESERVED. REPRODUCTION OR ISSUE TO THIRD PARTIES IN ANY FORM WHATSOEVER IS NOT PERMITTED WITHOUT WRITTEN AUTHORITY FROM THE PROPRIETOR. PROPERTY OF ANYTEK TECHNOLOGY CO., LTD			
TITLE		AP SERIES Key -match VB&VC&EV&EW&KK&KL&KJ					
PART NO.		AP0000200000G		DWG NO.		8AP0001	
APPROVED	CHECKED	DESIGNED	DRAWN	CUST NO.		Tolerance	
		Jacke	Kind			UNIT: mm	X. ±0.50
		2010.04.29	2009.02.17			SCALE: NONE	X.X ±0.30
				SHEET: 01/01		REV.: B	X.XX ±0.10
							X° ±1°