

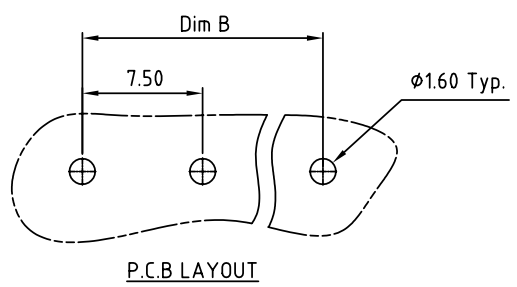
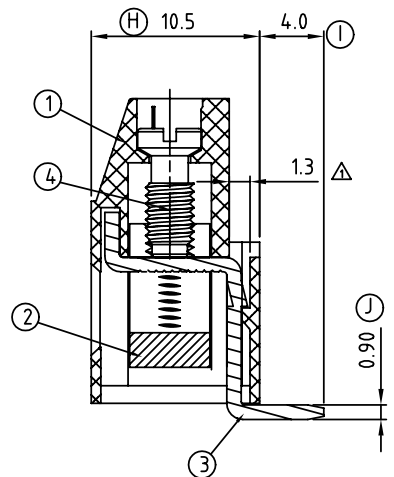
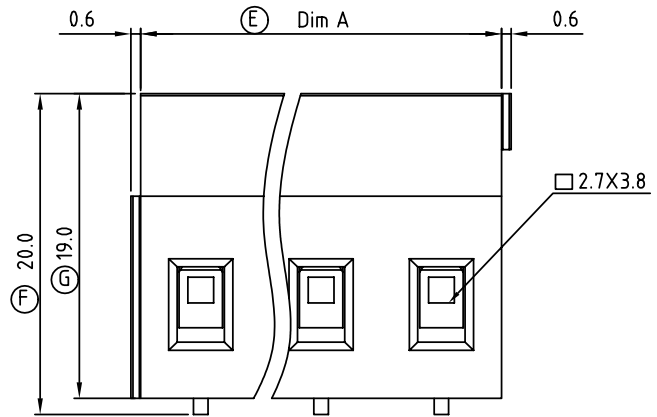
DIMENSION		Poles	Tolerance
Dim A	N×7.5	2p-6p	±0.15
Dim B	(N-1)×7.5	7p-12p	±0.25
		13p-16p	±0.35

N=Number of contacts

SIGN	DATE	DESCRIPTION	APPROVER
△	3/22'06	Hole size changed from 0.5mm to 1.3mm	Tony
△	01/12'07	Soldering temperature changed from 245° to 250°	Tason
△	01/12'07	Part NO is Changed	Tason
△	07/20'09	The shape of digging hole is Changed	Aaron
△	07/20'09	Operating temperature is Changed	Aaron
△	10/26'09	Wire guard solder pin is Changed from Brass to Copper	Aaron
△	11/09'10	Add is " VDE "	Aaron

THIS IS CAD DRAWING, DO NOT REVISE MANUALLY!!!

- Material:
- Item 1 Terminal housing:Thermoplastic (UL 94V-0)
  - Item 2 Clamp: Brass Ni plated
  - △ ● Item 3 Wire guard solder pin:Copper Tin plated
  - Item 4 Terminal screw: Steel Zinc plating"-slot type
- △ Electrical cULus VDE
- Voltage rating: 300VAC 750V
  - Current rating: 20A 24A
  - Wire range : 0.2-2.5mm<sup>2</sup>
  - Solid wire(AWG): 12-30
  - Stranded wire(AWG): 12-30
  - Torque(Lb-In): 3.5 0.5 N.m
  - Screw: M3
  - Wire strip length: 6-7mm
  - Withstanding Voltage: 1.6KV 3KV
  - △ ● Operating temperature: -40°C to +115°C
  - △ ● Soldering temperature: 250°C±10°C/5 Sec
  - Safety Approval:



△ VJ xx 41 x 0 xxxx G

RoHS Pb<40,000ppm

No. of poles end stackable design	0 Black (RAL9005)	0000:"@"/Logo (Standard)
02 2 CONTACTS	2 Red (RAL3001/D)	000A:"ANYTEK"/Logo
03 3 CONTACTS	3 Orange(RAL2011/P)	Any special item by customer request,
...	4 Yellow(RAL1018/A)	please contact sales department.
...	5 Green(RAL6018/T)	
16 16 CONTACTS	6 Blue (RAL5015/A)	
	8 Grey(RAL7035/D)	

<b>ANYTEK</b>		<b>CUSTOMER COPY</b>	
ALL RIGHTS RESERVED. REPRODUCTION OR ISSUE TO THIRD PARTIES IN ANY FORM WHATSOEVER IS NOT PERMITTED WITHOUT WRITTEN AUTHORITY FROM THE PROPRIETOR. PROPERTY OF ANYTEK TECHNOLOGY CO., LTD			
TITLE	VJ-7.5 Series 2P-16P Vertical ( 90D wire inlet )		
PART NO.	VJxx41x0xxxxG	DWG NO.	8VJ0202
APPROVED	CHECKED	DESIGNED	DRAWN
		Aaron 2010.11.09	Aaron 2009.10.26
SHEET: 01/01		Tolerance	
UNIT: mm		X.	±0.50
SCALE: NONE		X.X	±0.30
REV.: H		X.XX	±0.10
		X*	±1°