

SIGN	DATE	DESCRIPTION	APPROVER
△	11/09'10	Add is " VDE "	Aaron

THIS IS CAD DRAWING, DO NOT REVISE MANUALLY!!!

Dimension

DIM L	N×5.08
DIM A	(N-1)×5.08

N=Number of contacts

Poles	Tolerance
4P-8P	±0.15
9P-14P	±0.25
15P-20P	±0.35
21P-24P	±0.40

Material:

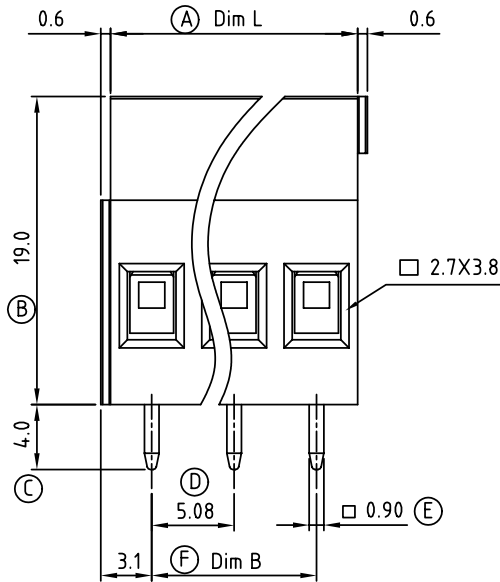
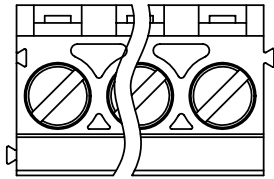
- Item 1 Terminal housing:Thermoplastic (UL 94V-0)
- Item 2 Clamp: Brass Ni plated
- Item 3 Wire guard solder pin:Brass Tin plated
- Item 4 Terminal screw: Steel Zinc plating"-slot type

- △ Electrical cULus VDE
- Voltage rating: 300VAC 450V
  - Current rating: 20A 24A
  - Wire range : 0.2-2.5mm<sup>2</sup>
  - Solid wire(AWG): 12-30
  - Stranded wire(AWG): 12-30
  - Torque(Lb-In): 3.5 0.5 N.m
  - Screw: M3
  - Wire strip length: 6-7mm
  - Withstanding Voltage: 1.6KV 2.5KV
  - Operating temperature: -40°C to +115°C
  - Soldering temperature: 250°C±10°C/5 Sec
  - Safety Approval:

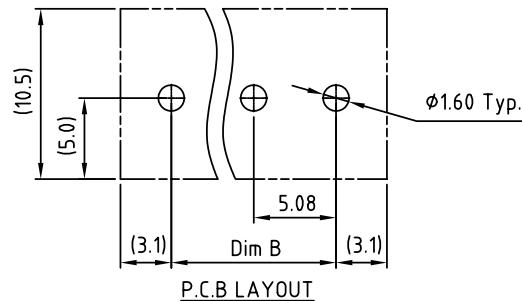
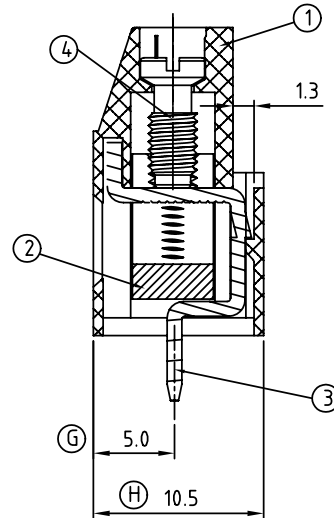


△ VJ xx 21 x 5 xxxx G

- RoHS Pb<40,000ppm
- |                |                     |                                       |
|----------------|---------------------|---------------------------------------|
| No. of poles   | 0 Black (RAL9005)   | 0000:"@"/Logo (Standard)              |
| 04 4 CONTACTS  | 2 Red (RAL3001/D)   | 000A:"ANYTEK"/Logo                    |
| 05 5 CONTACTS  | 3 Orange(RAL2011/P) | Any special item by customer request, |
| ...            | 4 Yellow(RAL1018/A) | please contact sales department.      |
| 24 24 CONTACTS | 5 Green(RAL6018/T)  |                                       |
|                | 6 Blue (RAL5015/A)  |                                       |
|                | 8 Grey(RAL7035/D)   |                                       |



N=Number of contacts



<b>ANYTEK</b>		<b>CUSTOMER COPY</b>	
ALL RIGHTS RESERVED. REPRODUCTION OR ISSUE TO THIRD PARTIES IN ANY FORM WHATSOEVER IS NOT PERMITTED WITHOUT WRITTEN AUTHORITY FROM THE PROPRIETOR. PROPERTY OF ANYTEK TECHNOLOGY CO., LTD			
TITLE	VJ-5.08 Series 4P-24P Horizontal Solid block ( 180D wire inlet )-----Without cover		
PART NO.	VJxx21x5xxxxG	DWG NO.	8VJ0116
APPROVED	CHECKED	DESIGNED	DRAWN
		Aaron 2010.11.09	Aaron 2009.09.15
SHEET: 01/01		UNIT: mm	Tolerance
		SCALE: NONE	X. ±0.50
		REV.: C	X.X ±0.30
			X.XX ±0.10
			X° ±1°