

DIMENSION		Poles	Tolerance
Dim L	NX5.08	2p-6p	±0.15
Dim A	(N-1)X5.08	7p-12p	±0.25
		13p-18p	±0.35
		19p-24p	±0.40

SIGN	DATE	DESCRIPTION	APPROVER
△	3/22/06	Hole size changed from 0.5mm to 1.3mm	Tony
△	01/12/07	Soldering temperature changed from 245° to 250°	Tason
△	01/12/07	Part NO is Changed	Tason
△	6/04/08	Operating temperature is Changed	Marvin
△	6/04/08	Body type is Changed	Marvin
△	11/09/10	Add is " VDE "	Aaron

THIS IS CAD DRAWING, DO NOT REVISE MANUALLY!!!

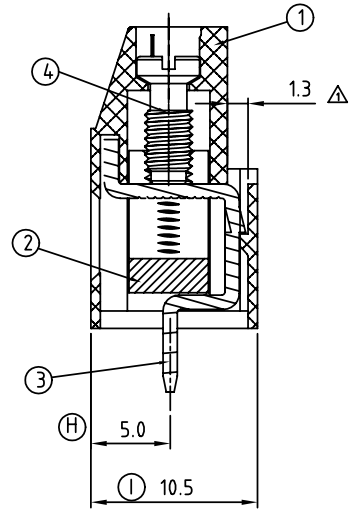
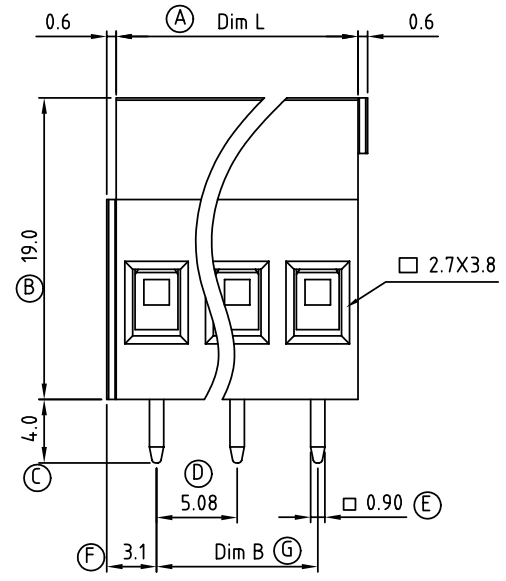
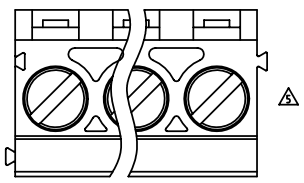
- Material:**
- Item 1 Terminal housing:Thermoplastic (UL 94V-0)
 - Item 2 Clamp: Brass Ni plated
 - Item 3 Wire guard solder pin:Brass Tin plated
 - Item 4 Terminal screw: Steel Zinc plating"- "slot type

- △ Electrical cULus VDE
- Voltage rating: 300VAC 450V
 - Current rating: 20A 24A
 - Wire range : 0.2-2.5mm²
 - Solid wire(AWG): 12-30
 - Stranded wire(AWG): 12-30
 - Torque(Lb-In): 3.5 0.5 N.m
 - Screw: M3
 - Wire strip length: 6-7mm
 - Withstanding Voltage: 1.6KV 2.5KV
 - △ ● Operating temperature: -40°C to +115°C
 - △ ● Soldering temperature: 250°C±10°C/5 Sec
 - Safety Approval:

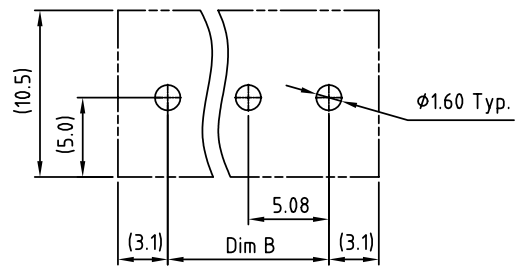


△ VJ xx 21 x 2 xxxx G

		RoHS
		Pb<40,000ppm
No. of poles end stackable design	0 Black (RAL9005)	0000:"@"Logo (Standard)
	2 Red (RAL3001/D)	000A:"ANYTEK"Logo
02 2 CONTACTS	3 Orange(RAL2011/P)	Any special item by customer request,
03 3 CONTACTS	4 Yellow(RAL1018/A)	please contact sales department.
...	5 Green(RAL6018/T)	
24 24 CONTACTS	6 Blue (RAL5015/A)	
	8 Grey(RAL7035/D)	



N=Number of contacts



P.C.B LAYOUT

ANYTEK		CUSTOMER COPY		
TITLE	VJ-5.08 Series 2P-24P Horizontal (180D wire inlet)-----Without cover			
PART NO.	VJxx21x2xxxxG	DWG NO.	8VJ0103	
APPROVED	CHECKED	DESIGNED	DRAWN	CUST NO.
		Aaron 2010.11.09	Marvin 2008.06.04	
				Tolerance
		UNIT: mm		X. ±0.50
		SCALE: NONE		X.X ±0.30
		SHEET: 01/01		X.XX ±0.10
		REV.: F		X° ±1°