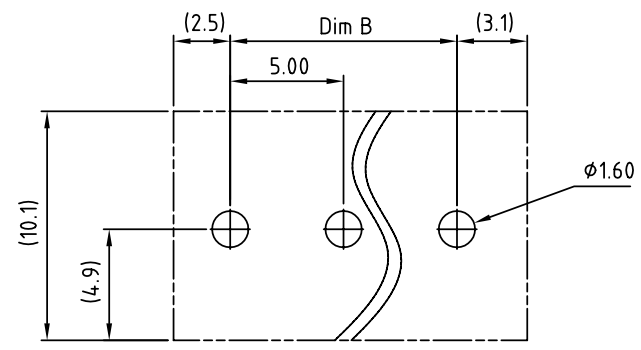
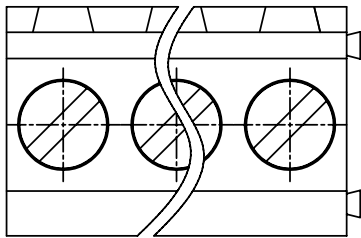


SIGN	DATE	DESCRIPTION	APPROVER
△	01/18'07	Soldering temperature changed from 245° to 250°	Tason
△	01/18'07	Part NO is Changed	Tason

THIS IS CAD DRAWING, DO NOT REVISE MANUALLY!!!



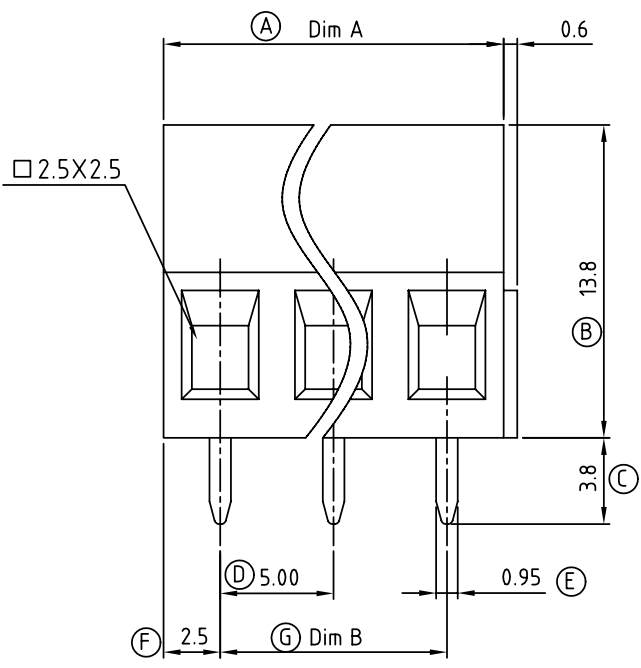
P.C.B LAYOUT

Material:

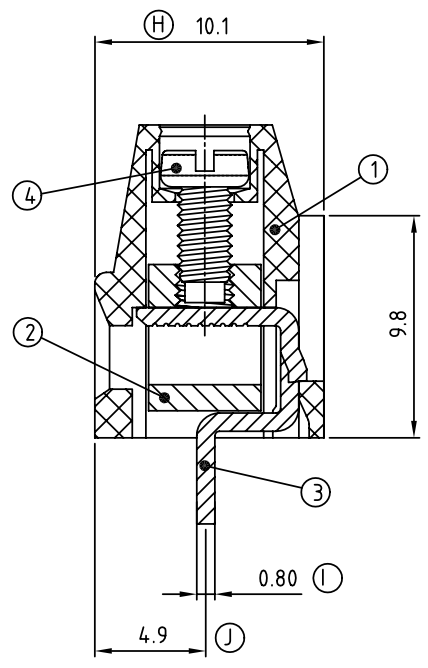
- Item ① Terminal housing :Thermoplastic (UL 94V-0)
- Item ② Clamp : Brass ,Ni plated
- Item ③ Wire guard solder pin : Brass ,Tin plated
- Item ④ Terminal screw: Steel Zinc plating"-slot type

Electrical UL

- Voltage rating: 300VAC
- Current rating: 10A
- Wire range:
 - Solid wire(AWG): 12-24
 - Stranded wire(AWG): 12-24
- Torque(Lb-In): 3.5
- Screw: M2.5
- Wire strip length: 6-7mm
- Withstanding Voltage: 1.6KV
- Operating temperature: -40°C to +115°C
- Soldering temperature: 250°C±10°C/5 Sec
- Safety Approval:



N=Number of contacts



△ YD xx 01 x 0 xxxx G

02	2 CONTACTS	0	Black	0000:"@"Logo (Standard)	Pb < 40,000ppm
03	3 CONTACTS	5	Green	000A:"ANYTEK"Logo	(RoHS)
...	...	6	Blue	Any special item by	
24	24 CONTACTS	8	Grey	customer request,	
				please contact sales	
				department.	

POLE		2	3	4	5	6	7	8	9	10	11	12
Dim A		10.00	15.00	20.00	25.00	30.00	35.00	40.00	45.00	50.00	55.00	60.00
Dim B		5.00	10.00	15.00	20.00	25.00	30.00	35.00	40.00	45.00	50.00	55.00
Tol.		±0.15					±0.20					
POLE	13	14	15	16	17	18	19	20	21	22	23	24
Dim A	65.00	70.00	75.00	80.00	85.00	90.00	95.00	100.00	105.00	110.00	115.00	120.00
Dim B	60.00	65.00	70.00	75.00	80.00	85.00	90.00	95.00	100.00	105.00	110.00	115.00
Tol.		±0.30					±0.40					

ANYTEK

CUSTOMER COPY

ALL RIGHTS RESERVED. REPRODUCTION OR ISSUE TO THIRD PARTIES IN ANY FORM WHATSOEVER IS NOT PERMITTED WITHOUT WRITTEN AUTHORITY FROM THE PROPRIETOR. PROPERTY OF ANYTEK TECHNOLOGY CO., LTD

TITLE		YD-5.00mm Series 2P-24P												
PART NO.		YDxx01x0xxxxG					DWG NO.		8YD0001					
APPROVED		CHECKED		DESIGNED		DRAWN		CUST NO.					Tolerance	
				熊海霖 2007.01.25		熊海霖 2007.01.25				UNIT: mm		X. ±0.50		
								SHEET: 01/01		REV.: D		X.X ±0.30		
												X.XX ±0.10		
												X° ±1°		