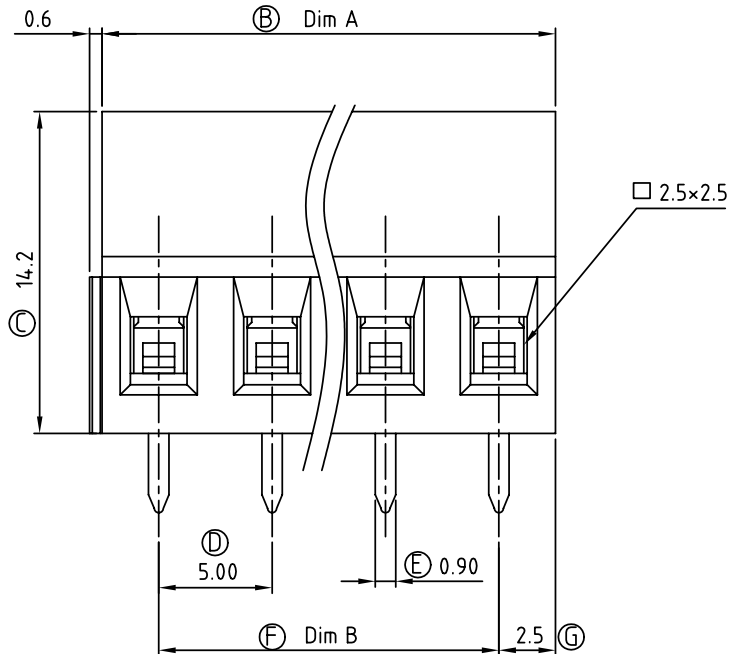
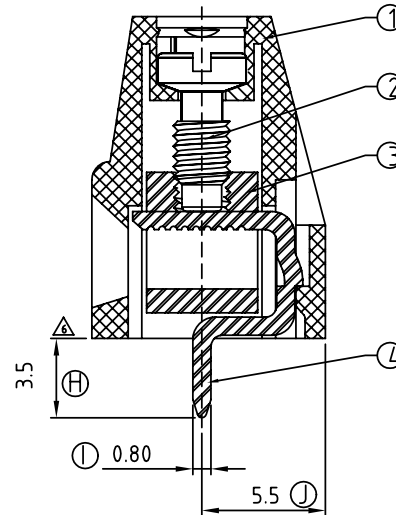


P.C.B. LAYOUT



N=Number of conacts



SECTION A-A

SIGN	DATE	DESCRIPTION	APPROVER
△	6/22'06	Removed Safety Approval UL Mark	Marvin
△	10/9'06	Modify Connector Solid Block Type Series	Aaron
△	09/17'09	Torque is changed from 2.6(Lb-In) to 3.5(Lb-In)	Aaron
△	09/17'09	Operating temperature is changed	Aaron
△	09/17'09	Poles is changed from 2p-24p to 4p-24p	Aaron
△	09/26'09	Dimension is changed from 3.80mm to 3.50mm	Aaron

THIS IS CAD DRAWING, DO NOT REVISE MANUALLY!!!

Material

- Ltem 1 Terminal housing: Thermoplastic (UL94V-0)
- Ltem 2 Terminal screw: Steel Zinc plating "-" slot type
- Ltem 3 Clamp: Brass, Ni plated
- Ltem 4 Wire guard solder pin: Brass , Tin plated

△ Electrical UL

- Voltage rating: 300VAC
- Current rating: 10A
- Wire range:
 - Solid wire(AWG): 12-22
 - Stranded wire(AWG): 12-22
- Torque(Lb-In): 3.5
- Screw: M2.5
- Wire strip length: 6-7mm
- Withstanding Voltage: 1.6KV
- Operating temperature: -40°C to +115°C
- Soldering temperature: 250°C±10°C/5 Sec
- Safety Approval:

TI xx 01 x A xxxx G

△	04	05	...	24	0	4	5	6	8	0000	000A	Any special item by customer request, please contact sales department.	RoHS	Pb<40,000ppm
	4 CONTACTS	5 CONTACTS		24 CONTACTS	Black	Orange	Green	Blue	Grey	Standard @ Logo	Standard ANY Logo			

POLE	2	3	4	5	6	7	8	9	10	11	12	
Dim A			20.00	25.00	30.00	35.00	40.00	45.00	50.00	55.00	60.00	
Dim B			15.00	20.00	25.00	30.00	35.00	40.00	45.00	50.00	55.00	
Tol.	±0.15			±0.20								
POLE	13	14	15	16	17	18	19	20	21	22	23	24
Dim A	65.00	70.00	75.00	80.00	85.00	90.00	95.00	100.00	105.00	110.00	115.00	120.00
Dim B	60.00	65.00	70.00	75.00	80.00	85.00	90.00	95.00	100.00	105.00	110.00	115.00
Tol.	±0.30			±0.40								

ANYTEK

CUSTOMER COPY

ALL RIGHTS RESERVED. REPRODUCTION OR ISSUE TO THIRD PARTIES IN ANY FORM WHATSOEVER IS NOT PERMITTED WITHOUT WRITTEN AUTHORITY FROM THE PROPRIETOR. PROPERTY OF ANYTEK TECHNOLOGY CO., LTD

TITLE	TI 5.0 Series 4P-24PSolid block (2-intertock)																									
PART NO.	Tlxx01xAxxxxG					DWG NO.	8TI0201																			
APPROVED	CHECKED	DESIGNED	DRAWN	CUST NO.	Tolerance																					
		Aaron 2009.09.26	Aaron 2009.09.26		<table border="1"> <tr> <td rowspan="3"></td> <td>UNIT: mm</td> <td>X.</td> <td>±0.50</td> </tr> <tr> <td>SCALE: NONE</td> <td>X.X</td> <td>±0.30</td> </tr> <tr> <td></td> <td>X.XX</td> <td>±0.10</td> </tr> <tr> <td colspan="2">SHEET: 01/01</td> <td>REV.: F</td> <td>X°</td> <td>±1°</td> </tr> </table>								UNIT: mm	X.	±0.50	SCALE: NONE	X.X	±0.30		X.XX	±0.10	SHEET: 01/01		REV.: F	X°	±1°
	UNIT: mm	X.	±0.50																							
	SCALE: NONE	X.X	±0.30																							
		X.XX	±0.10																							
SHEET: 01/01		REV.: F	X°	±1°																						