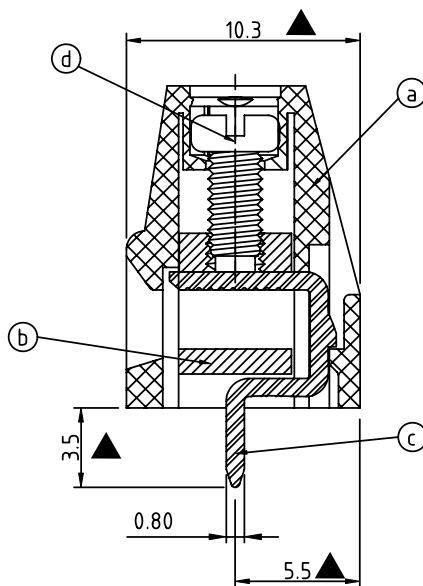
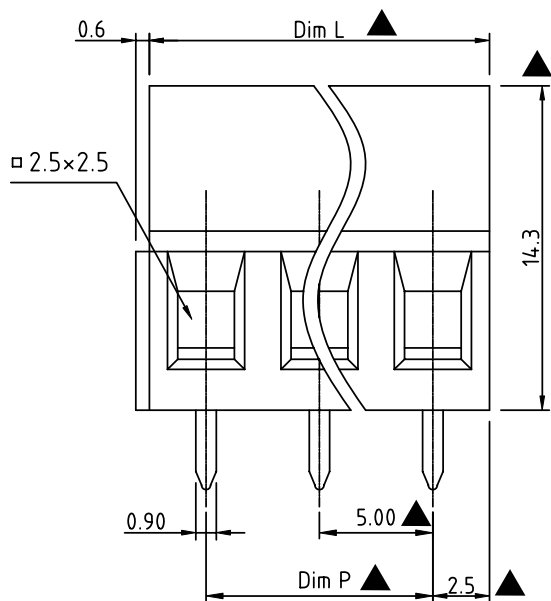


P.C.B LAYOUT
TOP VIEW



SIGN	DATE	DESCRIPTION	APPROVER
△	01/12'07	Part No. is changed	Tason
△	01/12'07	Soldering temperature changed from 245° to 250°	Tason
△	2/12'09	Operating temperature changed (-40°C to +115°C)	Tony
△	2/12'09	Add "VDE" Safety Approval	Tony
△	8/19'13	update the drawing	Guoxue
△	8/19'13	Current rating is changed from 10A to 16A.	Guoxue
△	8/19'13	Soldering temperature is changed from 250°C ±10°C/5 Sec to 260°C ±5°C/5 Sec	Guoxue
△	8/19'13	Part No is changed	Guoxue
△	5/23'16	Part No is changed	Guoxue

Material: ● Item ① Terminal housing : Thermoplastic (UL94V-0)

● Item ② Clamp : Brass, Ni plated

● Item ③ Wire guard solder pin : Brass, Tin plated.

● Item ④ Terminal screw: Steel Zinc plating "-" slot type

Electrical:	cULus	VDE	CQC
● Voltage rating:	300V	250V	250V
● Current rating:	16A	10A	24A
● Wire range:	0.34-4.0 mm ²		0.2-2.5 mm ²
● Solid wire(AWG):	12-22		
● Stranded wire(AWG):	12-22		
● Toque:	3.5Lb-In	0.4 Nm	0.4 Nm
● Screw:	M2.5		
● Wire strip length:	6-7mm		
● Withstanding Voltage:	1.6KV	2KV	2.5KV
● Operating temperature:	-40°C to +115°C		
△ △ ● Soldering temperature:	260°C ±5°C/5 Sec		

△ △ ● Safety Approval:

△ ● Critical dimension:

△ △ TI xx 01 x 0 xxxx G

	COLOR		
02 2 POLES	0 Black (RAL9005)	0000:"@ "Logo (Standard)	G RoHS compliant
03 3 POLES	2 Red (RAL3001/D)	000A:"ANYTEK" Logo	(lead<4%)
...	3 Orange(RAL2011/P)	0091:"ANYTEK" Logo	In copper Alloy
...	4 Yellow(RAL1018/A)	Any special item by	
24 24 POLES	5 Green(RAL6018/T)	customer request,	
	6 Blue (RAL5015/A)	please contact sales department.	
	8 Grey(RAL7035/D)		
	9 White(RAL1102)		
	C Green(RAL6018/U)		

POLE	2	3	4	5	6	7	8	9	10	11	12	
Dim L	10.00	15.00	20.00	25.00	30.00	35.00	40.00	45.00	50.00	55.00	60.00	
Dim P	5.00	10.00	15.00	20.00	25.00	30.00	35.00	40.00	45.00	50.00	55.00	
Tol.	±0.15					±0.20						
POLE	13	14	15	16	17	18	19	20	21	22	23	24
Dim L	65.00	70.00	75.00	80.00	85.00	90.00	95.00	100.00	105.00	110.00	115.00	120.00
Dim P	60.00	65.00	70.00	75.00	80.00	85.00	90.00	95.00	100.00	105.00	110.00	115.00
Tol.	±0.30						±0.40					

Amphenol
ANYTEK

CUSTOMER COPY

ALL RIGHTS RESERVED. REPRODUCTION OR ISSUE TO THIRD PARTIES IN ANY FORM WHATSOEVER IS NOT PERMITTED WITHOUT WRITTEN AUTHORITY FROM THE PROPRIETOR. PROPERTY OF ANYTEK TECHNOLOGY CO., LTD

TITLE	TI-5.0 series (配YD-5.0端子)				DWG NO.	8TI0003	
PART NO.	TIxx01x0xxxxG			CUST NO.			
APPROVED	CHECKED	DESIGNED	DRAWN	Tolerance			
		Chen Bo 05/23'16	Guoxue 2013.09.24		UNIT: mm	X.	±0.50
					SCALE: NONE	X.X	±0.30
					REV.: G	X.XX	±0.10
						X°	±1°

SHEET: 01/01