

SIGN	DATE	DESCRIPTION	APPROVER
△	01/18/07	Soldering temperature changed from 245° to 250°	Tason
△	01/18/07	Part NO is Changed	Tason
<i>THIS IS CAD DRAWING, DO NOT REVISE MANUALLY!!!</i>			

N=NUMBER OF POLES


Dim A=N×5.08
Dim B=(N-1)×5.08

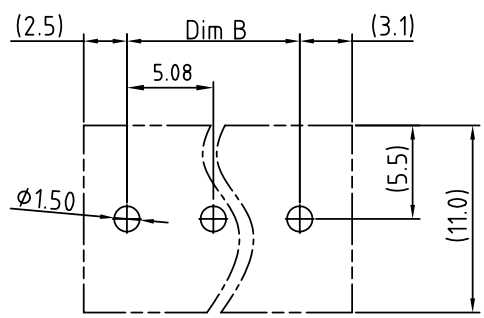
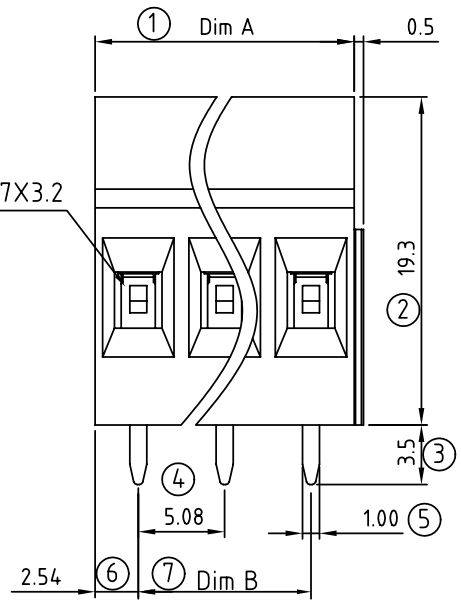
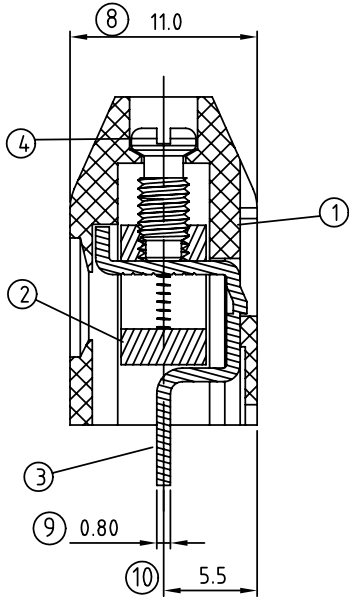
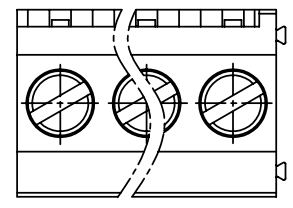
Poles	Dim A Tol	Dim B Tol
2P-6P	±0.15	±0.15
7P-12P	±0.25	±0.25
13P-18P	±0.35	±0.35
19P-24P	±0.40	±0.40

Material:

- Item 1 Terminal housing :Thermoplastic (UL 94V-0)
- Item 2 Clamp : Brass ,Ni plated
- Item 3 Wire guard solder pin : Brass ,Tin plated
- Item 4 Terminal screw: Steel Zinc plating"-slot type

Electrical cULus

- Voltage rating: 300VAC
- Current rating: 20A
- Wire range:
- Solid wire(AWG): 12-22
- Stranded wire(AWG): 12-22
- Torque(Lb-In): 3.5
- Screw: M3
- Wire strip length: 6-7mm
- Withstanding Voltage: 1.6KV
- Operating temperature: -40°C to +115°C
- △ Soldering temperature: 250°C±10°C/5 Sec
- Safety Approval: 



P.C.B. LAYOUT

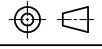
△ TU xx 21 x 0 xxxx G

02 2 CONTACTS	0 Black	0000:"@"Logo (Standard)	Pb < 40,000ppm (RoHS)
03 3 CONTACTS	5 Green	000A:"ANYTEK"Logo	
... ..	6 Blue	Any special item by customer request,	
24 24 CONTACTS	8 Grey	please contact sales department.	

ANYTEK

CUSTOMER COPY

ALL RIGHTS RESERVED. REPRODUCTION OR ISSUE TO THIRD PARTIES IN ANY FORM WHATSOEVER IS NOT PERMITTED WITHOUT WRITTEN AUTHORITY FROM THE PROPRIETOR. PROPERTY OF ANYTEK TECHNOLOGY CO., LTD

TITLE		TU 5.08mm Series			
PART NO.		TUxx21x0xxxxG		DWG NO.	8TU0001
APPROVED	CHECKED	DESIGNED	DRAWN	CUST NO.	
		熊海燕	熊海燕		
		2007.01.25	2007.01.25		
					Tolerance
					UNIT: mm
				SCALE: NONE	X. ±0.50
				SHEET: 01/01	X.X ±0.30
				REV.: E	X.XX ±0.10
					X° ±1°