

SIGN	DATE	DESCRIPTION	APPROVER
△	06/21'10	Color is Changed from (Ral 7035/D) to (RAL 7004/P)	Cheng Bo
△	06/21'10	The location post of Body is changed from spherical shape to cylindrical shape.	Aaron

*THIS IS CAD DRAWING, DO NOT REVISE MANUALLY!!!*

**Material:**

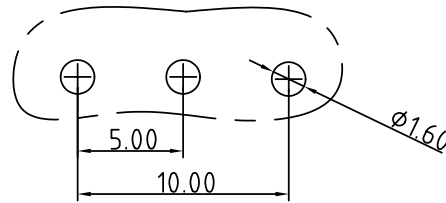
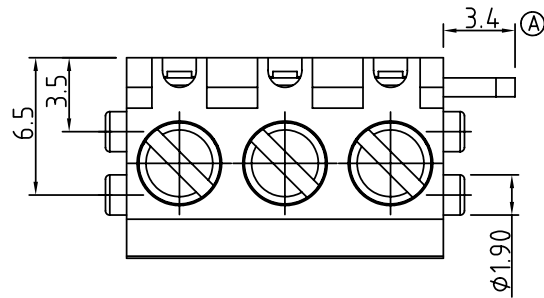
- Item 1 Terminal housing: Thermoplastic (UL 94V-0)
- Item 2 Clamp : Brass ,Ni plated
- Item 3 Wire guard solder pin : Brass , Tin plated
- Item 4 Terminal screw: Steel Zinc plating"-slot type

**Electrical**

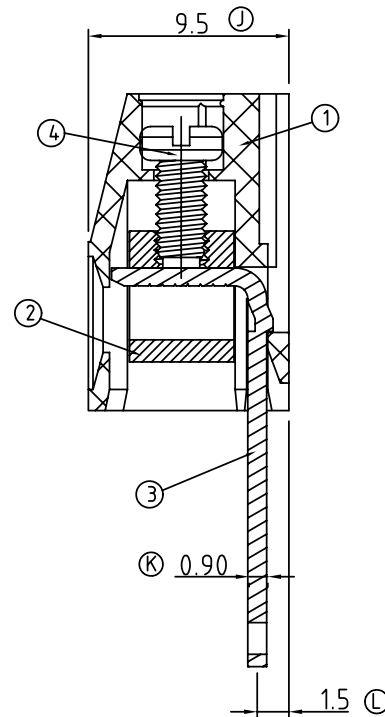
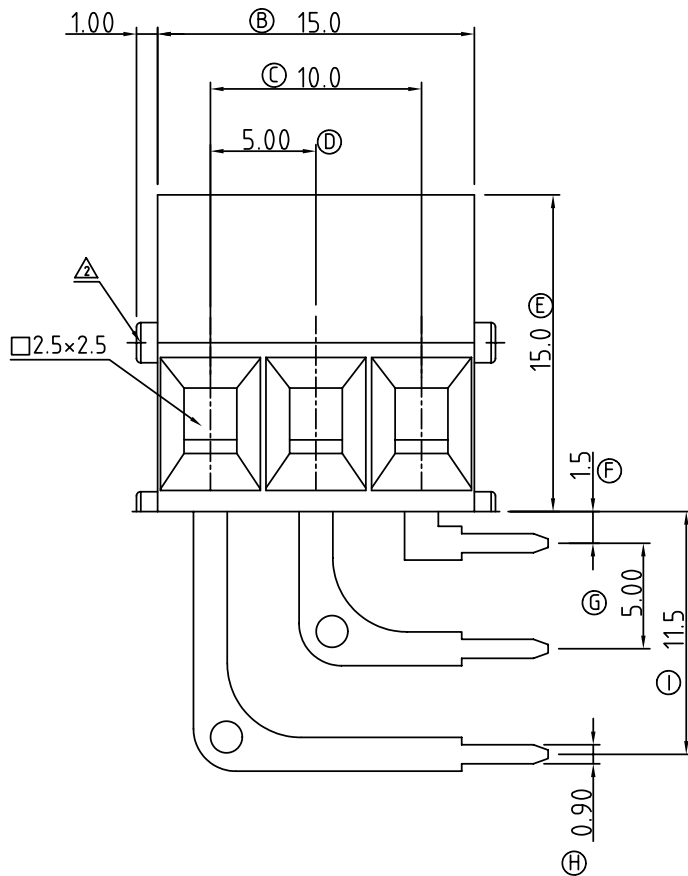
- Voltage rating: 300VAC
- Current rating: 10A
- Wire range:
- Solid wire(AWG): 12-22
- Stranded wire(AWG): 12-22
- Torque(Lb-In): 3.5
- Screw: M2.5
- Wire strip length: 6-7mm
- Withstanding Voltage: 1.6KV
- Operating temperature: -40°C to +115°C
- Soldering temperature: 250°C±10°C/5 Sec

V3 03 0 1 x 1 xxxx G

- RoHS  
Pb<4,000ppm
- Color
- |                     |  |
|---------------------|--|
| 0 Black (RAL9005)   | 0000:"@Logo (Standard)   |
| 2 Red (RAL3001/D)   | 000A:"ANYTEK"Logo  |
| 3 Orange(RAL2011/P) | Any special item by customer request, please contact sales department. |
| 4 Yellow(RAL1018/A) |  |
| 5 Green(RAL6018/T)  |  |
| 6 Blue (RAL5015/A)  |  |
| △ 8 Grey(RAL7004/P) |  |



P.C.B LAYOUT



**ANYTEK**

**CUSTOMER COPY**

ALL RIGHTS RESERVED. REPRODUCTION OR ISSUE TO THIRD PARTIES IN ANY FORM WHATSOEVER IS NOT PERMITTED WITHOUT WRITTEN AUTHORITY FROM THE PROPRIETOR. PROPERTY OF ANYTEK TECHNOLOGY CO., LTD

TITLE		V3-5.0 Series 3P (Right type)		
PART NO.	V30301x1xxxxG	DWG NO.	8V30002	
APPROVED	CHECKED	DESIGNED	DRAWN	CUST NO.
		Aaron 2010.08.25	Cheng Bo 2010.06.21	
				Tolerance
				X. ±0.50
				X.X ±0.30
				X.XX ±0.10
				X° ±1°
			UNIT: mm	
			SCALE: NONE	
SHEET: 01/01		REV.: F		