

SIGN	DATE	DESCRIPTION	APPROVER
△	2/3/09	新增 cULus 認證	Kind
△	2/3/09	Current rating changed from 10A to 15A	Kind
△	2010.06.14	The designis changed	Cheng Bo

THIS IS CAD DRAWING, DO NOT REVISE MANUALLY!!!

Material

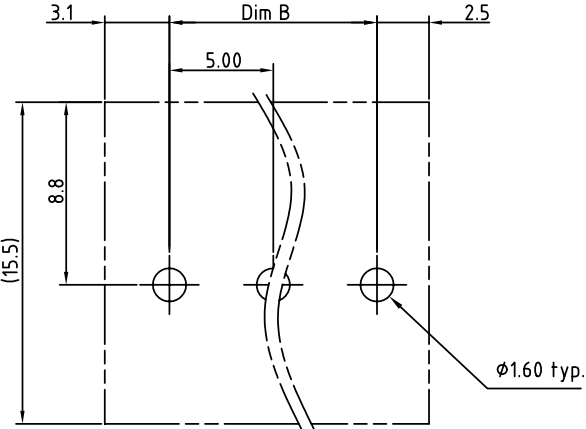
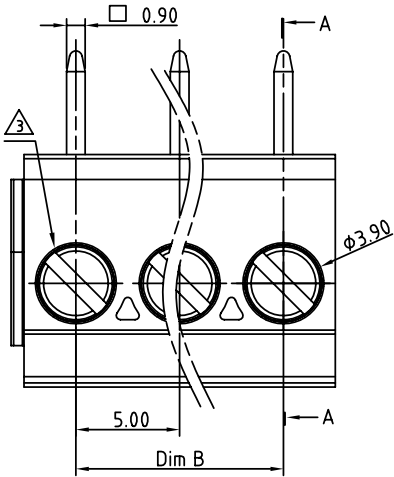
- Item 1 Terminal housing : Thermoplastic (UL94V-0)
- Item 2 Terminal cover : Thermoplastic (UL94V-0)
- Item 3 Terminal screw : Steel Zinc plating "-" slot type
- Item 4 Clamp : Brass, Ni plated
- Item 5 Wire guard solder pin : Brass, Tin plated

△ Electrical cULus

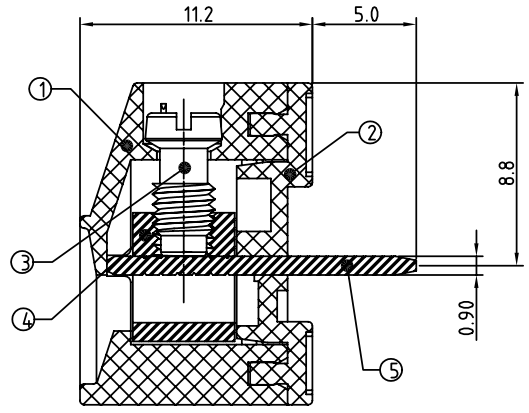
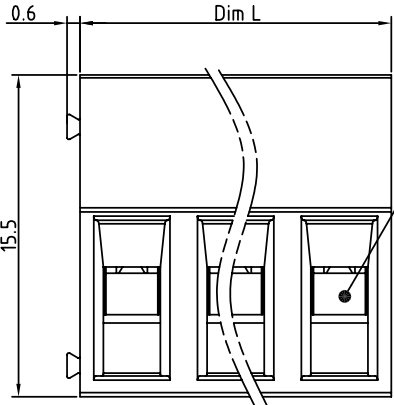
- Voltage rating: 300VAC
- △ ● Current rating: 15A
- Wire range:
- Solid wire(AWG): 14-30
- Stranded wire(AWG): 14-30
- Torque(Lb-In): 4.3
- Screw: M3
- Wire strip length: 6-7mm
- Withstanding Voltage: 1.6KV
- Operating temperature: -40°C to +115°C
- Soldering temperature: 250°C±10°C/5 Sec
- Safety Approval: **ES xx 01x 0 xxxx G**

ES xx 01x 0 xxxx G

02 2 CONTACTS 03 3 CONTACTS ... 24 24 CONTACTS	Color 0 Black (RAL9005) 2 Red (RAL3001/D) 3 Orange(RAL2011/P) 4 Yellow(RAL1018/A) 5 Green(RAL6018/T) 6 Blue (RAL5015/A) 8 Grey(RAL7035/D)	0000 Standard @ Logo RoHS 000A Standard ANY Logo Pb<4,000ppm Any special item by customer request, please contact sales department.
---	--	---



P.C.B. LAYOUT



SECTION A-A

Poles	02	03	04	05	06	07	08	09	10	11	12	13
Dim L	10.00	15.00	20.00	25.00	30.00	35.00	40.00	45.00	50.00	55.00	60.00	65.00
Dim B	5.00	10.00	15.00	20.00	25.00	30.00	35.00	40.00	45.00	50.00	55.00	60.00
TOL	±0.15					±0.20					±0.25	
Poles	14	15	16	17	18	19	20	21	22	23	24	
Dim L	70.00	75.00	80.00	85.00	90.00	95.00	100.0	105.0	110.0	115.0	120.0	
Dim B	65.00	70.00	75.00	80.00	85.00	90.00	95.00	100.0	105.0	110.0	115.0	
TOL	±0.25					±0.30						

<h1>ANYTEK</h1>				CUSTOMER COPY			
ALL RIGHTS RESERVED. REPRODUCTION OR ISSUE TO THIRD PARTIES IN ANY FORM WHATSOEVER IS NOT PERMITTED WITHOUT WRITTEN AUTHORITY FROM THE PROPRIETOR. PROPERTY OF ANYTEK TECHNOLOGY CO., LTD							
TITLE		ES 5.0 SERIES					
PART NO.		ESxx01x0xxxxG		DWG NO.		8ES0001	
APPROVED		CHECKED		DESIGNED		DRAWN	
						CUST NO.	
						Cheng Bo 2010.06.14	
						Tolerance	
						X. ±0.50	
						X.X ±0.30	
						X.XX ±0.10	
						X* ±1°	
				UNIT: mm			
				SCALE: NONE			
				SHEET: 01/01		REV.: D	