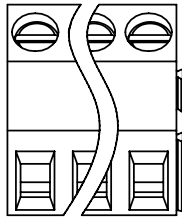


SIGN	DATE	DESCRIPTION	APPROVER
△			
THIS IS CAD DRAWING, DO NOT REVISE MANUALLY!!!			




DIMENSION		Poles	Tolerance
Dim A	NX5.08	2p-6p	±0.15
Dim B	(N-1)X5.08	7p-12p	±0.20
		13p-18p	±0.25
		19p-24p	±0.30

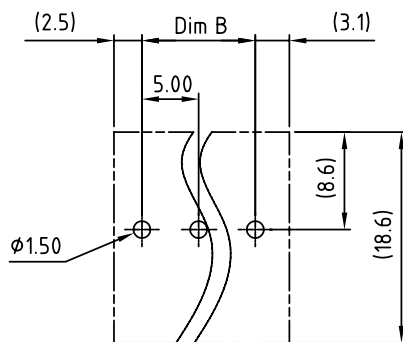
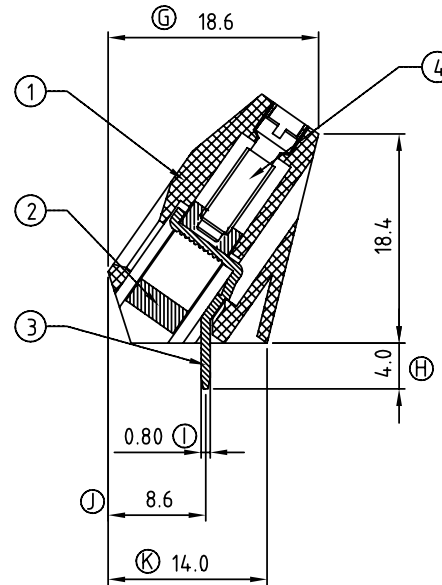
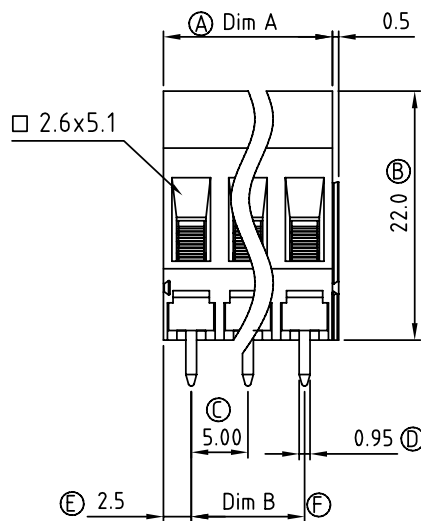
N=Number of contacts

### Material

- Item 1 Terminal housing : Thermoplastic (UL94V-0)
- Item 2 Clamp : Brass , Ni plated
- Item 3 Wire guard solder pin : Tin plated
- Item 4 Terminal screw: Steel , Zinc plating "--" slot type

### Electrical

- Voltage rating: 300VAC
- Current rating: 10A
- Wire range:
- Solid wire(AWG): 12-24
- Stranded wire(AWG): 12-24
- Torque(Lb-In): 3.5
- Screw: M3
- Wire strip length: 6-7mm
- Withstanding Voltage: 1.6KV
- Operating temperature: -40°C to +115°C
- Soldering temperature: 250°C±10°C/5 Sec
- Safety Approval: 



P.C.B. LAYOUT

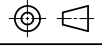
TP xx 0 1 x 0 xxxx G			
02	2 CONTACTS	0 Black	0000 "@Logo
03	3 CONTACTS	5 Green	000A "ANYTEK"Logo
...	...	6 Blue	Any special item by customer request, please contact sales department.
24	24 CONTACTS	8 Grey	

RoHS Pb<40,000ppm

# ANYTEK

## CUSTOMER COPY

ALL RIGHTS RESERVED. REPRODUCTION OR ISSUE TO THIRD PARTIES IN ANY FORM WHATSOEVER IS NOT PERMITTED WITHOUT WRITTEN AUTHORITY FROM THE PROPRIETOR. PROPERTY OF ANYTEK TECHNOLOGY CO., LTD

TITLE		TP 5.0 mm SERIES		DWG NO.		8TP0002	
PART NO.		TPxx01x0xxxxG		CUST NO.			
APPROVED	CHECKED	DESIGNED	DRAWN			Tolerance	
		Aaron 2009.11.10	xionghaitao 2006.02.11			UNIT: mm	X. ±0.50
				SHEET: 01/01		SCALE: NONE	X.XX ±0.10
						REV.: C	X° ±1°