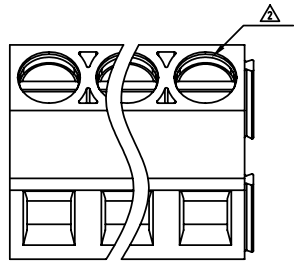


SIGN	DATE	DESCRIPTION	APPROVER
△	2/10'06	Part NO is Changed	xionghaitao
△	2/10'06	Design is Changed	xionghaitao



Dimension A&B

DIM A	N×5.0
DIM B	(N-1)×5.0

N=Number of contacts

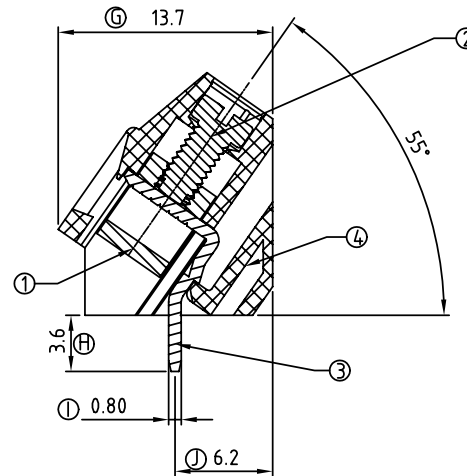
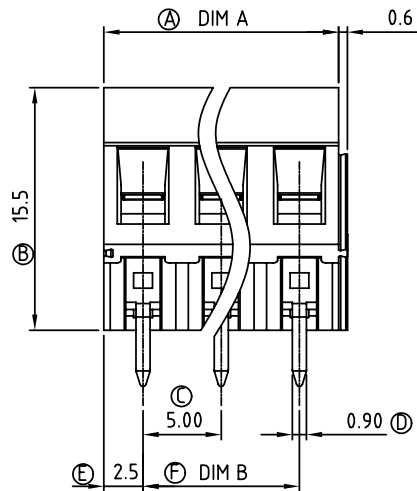
Poles	A&B Tolerance
2P-8P	±0.15
9P-14P	±0.25
15P-20P	±0.35
21P-24P	±0.40

Material

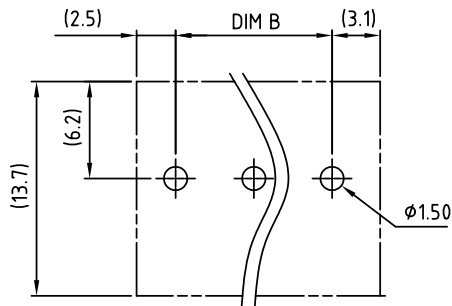
- Item① Clamp : Brass , Ni plated
- Item② Terminal screw: Steel , Zinc plating "--" slot type
- Item③ Wire guard solder pin : Brass , Tin plated
- Item④ Terminal housing : Thermoplastic (UL94V-0)

Electrical UL

- Voltage rating: 300VAC
- Current rating: 10A
- Wire range:
- Solid wire(AWG): 12-24
- Stranded wire(AWG): 12-24
- Torque(Lb-In): 3.5
- Screw: M2.5
- Wire strip length: 6-7mm
- Withstanding Voltage: 1.6KV
- Operating temperature: -40°C to +115°C
- Soldering temperature: 250°C±10°C/5 Sec
- Safety Approval Deta:



N=Number of contacts



RECOMMENDED PCB LAYOUT

T2 xx 0 1 x 0 xxxx G			
02	2 CONTACTS	0 Black	0000:"@Logo (Standard) RoHS
03	3 CONTACTS	5 Green (RAL 6018/T)	000A:"ANYTEK"Logo Pb<40,000ppm
...	...		Any special item by customer request,
24	24 CONTACTS	6 Blue 8 Grey (RAL 7035/D)	please contact sales department.

<b>ANYTEK</b>		<b>CUSTOMER COPY</b>	
ALL RIGHTS RESERVED. REPRODUCTION OR ISSUE TO THIRD PARTIES IN ANY FORM WHATSOEVER IS NOT PERMITTED WITHOUT WRITTEN AUTHORITY FROM THE PROPRIETOR. PROPERTY OF ANYTEK TECHNOLOGY CO., LTD			
TITLE	T2 - 5.0mm series 2P-24P (Stackable)		
PART NO.	T2xx01x0xxxxG △	DWG NO.	8T20001
APPROVED	CHECKED	DESIGNED	DRAWN
		Aaron 2009.11.14	xionghaitao 2006.01.23
		CUST NO.	
		Tolerance	
		X. ±0.50	
		X.X ±0.30	
		X.XX ±0.10	
		X° ±1°	
		UNIT: mm	
		SCALE: NONE	
		REV.: C	
		SHEET: 01/01	