

SIGN	DATE	DESCRIPTION	APPROVER
△	04/23'08	Part No. is changed.	Marvin
△	08/25'09	Poles is changed from 2p-24p to 4p-24p	Aaron
△	09/14'09	Add chamfer	Aaron
△	09/22'11	Structure changed	ChenMing

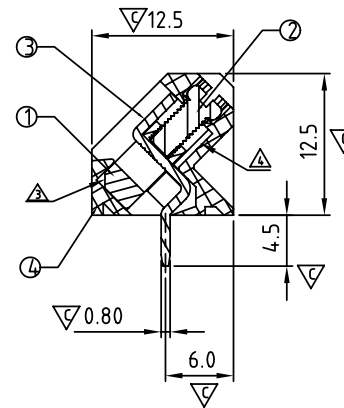
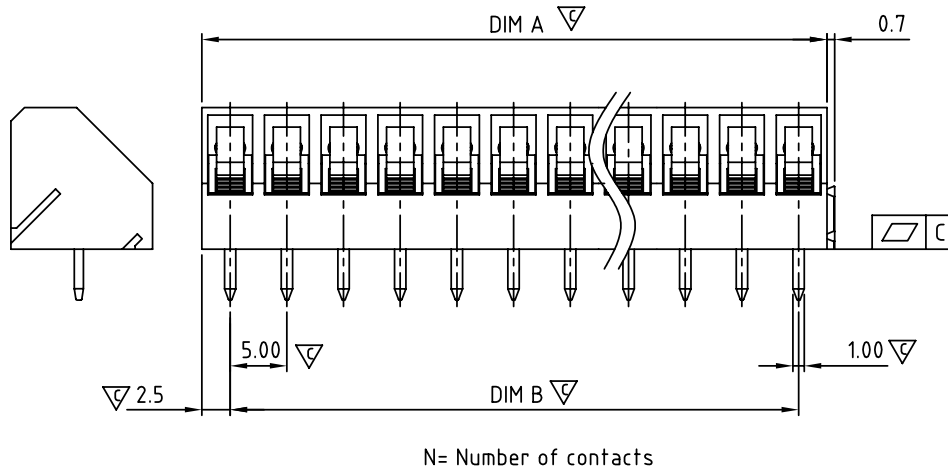
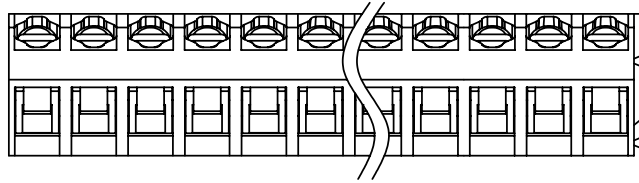
**THIS IS CAD DRAWING, DO NOT REVISE MANUALLY!!!**

Dimension A&B

DIM A	N×5.0
DIM B	(N-1)×5.0

N=Number of contacts

Poles	A&B Tolerance	∇	C
4P-8P	±0.15	0.20	
9P-14P	±0.25	0.20	
15P-20P	±0.35	0.20	
21P-24P	±0.40	0.40	



Material:

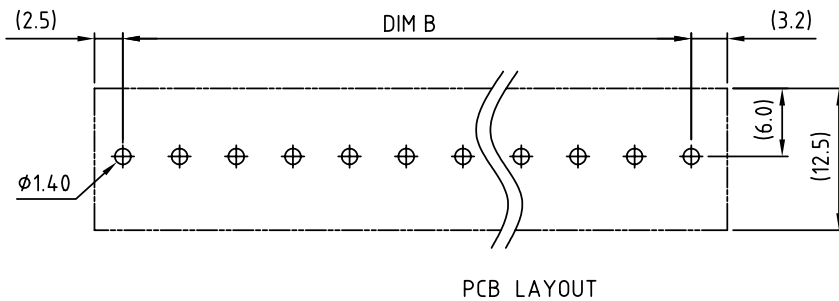
- Item ① Clamp: Brass, Ni plated
- Item ② Terminal screw: Steel Zinc plating "-" slot type.
- Item ③ Wire guard solder pin: Brass, Tin plated
- Item ④ Terminal housing: Thermoplastic (UL94V-0)

Electrical:

- Voltage rating: 300V
- Current rating: 10A
- Wire range:
- Solid wire(AWG): 12-22
- Stranded wire(AWG): 12-22
- Torque: 3.5 Lb-In
- Screw: M2.5
- Wire strip length: 6-7mm
- Withstanding Voltage: 1.6 KV
- Operating temperature: -40°C to +115°C
- Soldering temperature: 250°C±10°C/5 Sec
- Safety Approval: cULus
- Critical dimension: ∇

TG xx 0 1 x 0 C xxx G △

- △ 04 4 POLES      0: BLACK      000 "@" Logo
  - 05 5 POLES      5: GREEN      00A "ANYTEK" Mark
  - :            6: BLUE      Any special item by customer request.
  - 24 24 POLES    8: GREY      please contact sales department.
- G: Pb<40000ppm



<b>ANYTEK</b>				<b>CUSTOMER COPY</b>			
ALL RIGHTS RESERVED. REPRODUCTION OR ISSUE TO THIRD PARTIES IN ANY FORM WHATSOEVER IS NOT PERMITTED WITHOUT WRITTEN AUTHORITY FROM THE PROPRIETOR. PROPERTY OF ANYTEK TECHNOLOGY CO., LTD							
TITLE		TG 5.0mm Series Long Interlock solid block type 4p-24p △					
PART NO.		TGxx01x0CxxxG		DWG NO.		8TG104	
APPROVED		CHECKED	DESIGNED	DRAWN	CUST NO.		Tolerance
				ChenMing 2011.09.22			X. ±0.50
							X.X ±0.30
							X.XX ±0.10
							X° ±1°
					SHEET: 01/01		REV.: F