

N = Number of poles  
 Dim A = N x 5.0  
 Dim B = (N-1) x 5.0

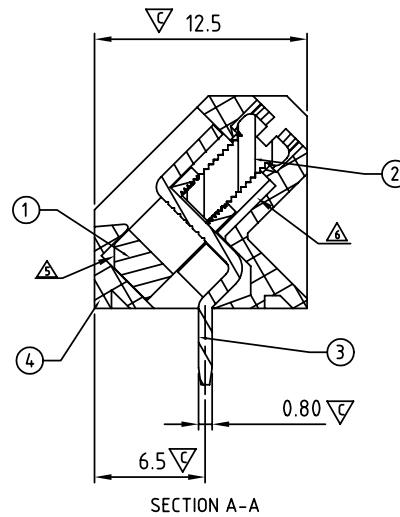
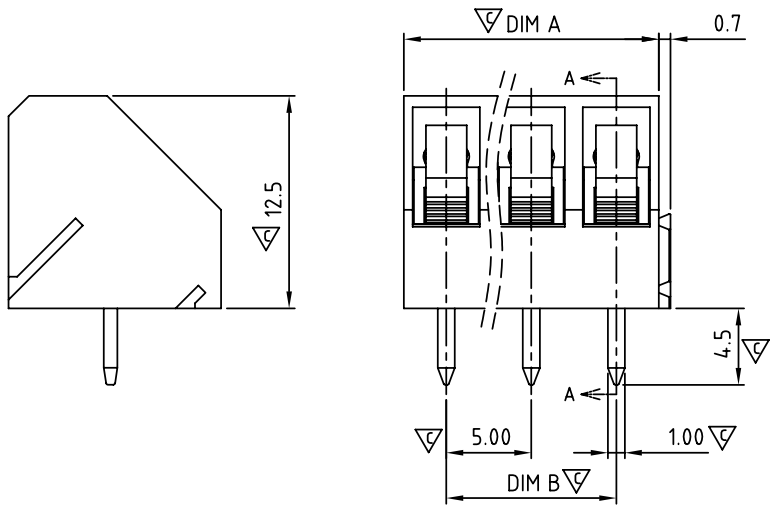
	Dim A	Dim B
2-6p	±0.15	±0.15
7-12p	±0.20	±0.20
13-18p	±0.30	±0.30
19-24p	±0.40	±0.40

SIGN	DATE	DESCRIPTION	APPROVER
△	11/28'06	Electrical changed	Tony
△	04/30'09	Add VDE Standand	Eris
△	04/30'09	The tolerance of dimension is changed	Eris
△	04/30'09	Temperature changed from -33 105°C to -40 115°C	Eris
△	09/14'09	Add chamfer	Aaron
△	09/22'11	Structure changed	ChenMing

*THIS IS CAD DRAWING, DO NOT REVISE MANUALLY!!!*

Material:

- Item ① Clamp: Brass, Ni plated
- Item ② Terminal screw: Steel Zinc plating "-" slot type.
- Item ③ Wire guard solder pin: Brass, Tin plated
- Item ④ Terminal housing: Thermoplastic (UL94V-0)



- △ △ Electrical:                      UL/VDE
- Voltage rating:                      300V/250V
  - Current rating:                      15A/10A
  - Wire range:                              0.34-4.0mm<sup>2</sup>
  - Solid wire(AWG):                      12-24
  - Stranded wire(AWG):                      12-24
  - Torque:                                    3.5 Lb-In / 0.4 N.m
  - Screw:                                    M2.5
  - Wire strip length:                      6-7mm
  - Withstanding Voltage:                      1.6 KV/2 KV
  - Operating temperature:                      -40°C to +115°C
  - Soldering temperature:                      250°C ± 10°C / 5 Sec
  - Safety Approval:
  - Critical dimension:

TG xx 0 1 x 0 B xxx G

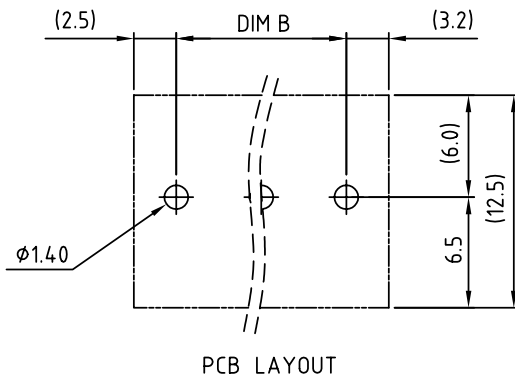
- No. OF POLES
- 02: 2 POLES
  - 03: 3 POLES
  - 24: 24 POLES

- COLOR
- 0: BLACK
  - 5: Green
  - 6: Blue
  - 8: Grey

RoHS  
 Pb<40000ppm  
 000 "@ logo  
 00A "ANY" logo

Any special item by customer request. please contact sales department.

N= Number of contacts



<b>ANYTEK</b>				<b>CUSTOMER COPY</b>			
ALL RIGHTS RESERVED. REPRODUCTION OR ISSUE TO THIRD PARTIES IN ANY FORM WHATSOEVER IS NOT PERMITTED WITHOUT WRITTEN AUTHORITY FROM THE PROPRIETOR. PROPERTY OF ANYTEK TECHNOLOGY CO., LTD							
TITLE		TG 5.0mm Long Interlock Type Series 2p-24p			DWG NO.		8TG0101
PART NO.		TGxx01x0BxxxG			CUST NO.		
APPROVED	CHECKED	DESIGNED	DRAWN	Tolerance			
			ChenMing			UNIT: mm	X.    ±0.50
			2011.09.22			SCALE: NONE	X.X   ±0.30
SHEET: 01/01				REV.: G	X.XX   ±0.10		X°    ±1°