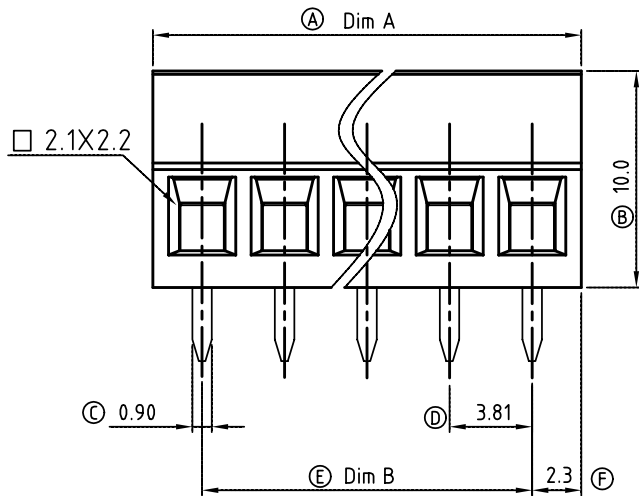
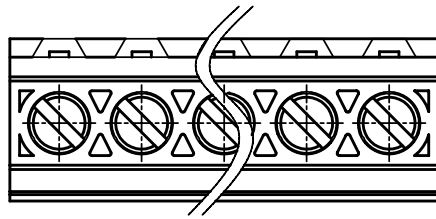


SIGN	DATE	DESCRIPTION	APPROVER
△	01/18'07	Soldering temperature changed from 245° to 250°	tason
△	01/18'07	Part NO Changed	tason
△	04/21'09	Operating temperature is changed from -30 +105 to -40- +115.	Eris
△	04/21'09	Dimension allowance	Eris
△	08/23'10	Screw is changed	Aaron

**THIS IS CAD DRAWING, DO NOT REVISE MANUALLY!!!**



**Material**

- Item ① Camp : Brass , Ni plated
- Item ② Terminal screw : Steel Zinc plating: "-slot type
- Item ③ Wire guard solder pin : Brass , Tin plated
- Item ④ Terminal housing : Thermoplastic (UL94V-0)

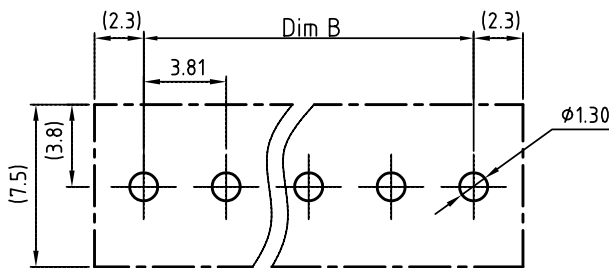
**Electrical**

- Voltage rating: 300VAC
- Current rating: 8A
- Wire range:
- Solid wire(AWG): 16-24
- Stranded wire(AWG):16-24
- Torque(Lb-In): 2.17
- Screw: M2
- Wire strip length: 6-7mm
- Withstanding Voltage: 1.6KV
- △ ● Operating temperature: -40°C to +120°C
- △ ● Soldering temperature: 250°C±10°C/5 Sec
- Safety Approval: us

**PART NO.**

△ EDxx31x0xxxxG

- No. of poles: 0 Black (RAL9005) 0000 "@Logo (Standard)
  - 02 2Contacts 2 Red (RAL3001/D) 000A:"ANYTEK"Logo
  - 03 3Contacts 3 Orange(RAL2011/P) Any special item by customer request
  - : : 4 Yellow(RAL1018/A)
  - 24 24Contacts 5 Green(RAL6018/T) please contact sales department
  - 6 Blue (RAL5015/A)
  - 8 Grey(RAL7035/D)
- Pb<40,000ppm (RoHS)



**P.C.B. LAYOUT**

N=Number of contacts  
Dimension A&B

Dim A	(N-1)×3.81+4.55
Dim B	(N-1)×3.81

Poles	A&B Tolerance
2P-4P	+0.15/-0.15
5P-8P	+0.20/-0.20
9P-16P	+0.30/-0.30
17P-24P	+0.40/-0.40

<b>ANYTEK</b>		<b>CUSTOMER COPY</b>		ALL RIGHTS RESERVED. REPRODUCTION OR ISSUE TO THIRD PARTIES IN ANY FORM WHATSOEVER IS NOT PERMITTED WITHOUT WRITTEN AUTHORITY FROM THE PROPRIETOR. PROPERTY OF ANYTEK TECHNOLOGY CO., LTD			
				TITLE: ED - 3.81mm Series 2P-24P		PART NO.: EDxx31x0xxxxG	
APPROVED	CHECKED	DESIGNED	DRAWN	CUST NO.	Tolerance		
		Aaron 2010.08.23	Eris 2009.04.21		UNIT: mm	X.	±0.50
					SCALE: NONE	X.X	±0.30
					SHEET: 01/01	X.XX	±0.10
					REV: F	X°	±1°