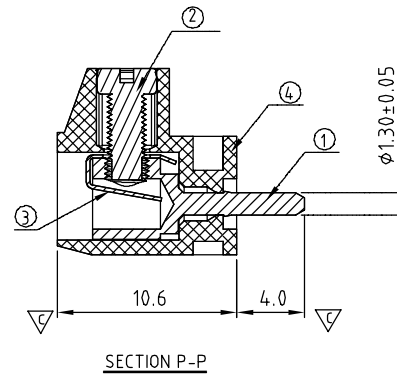
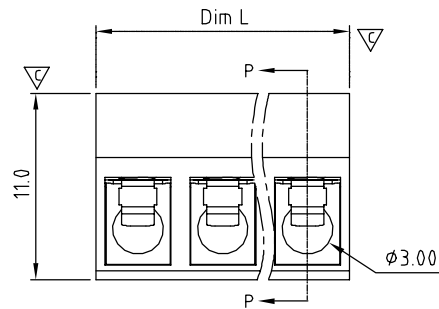
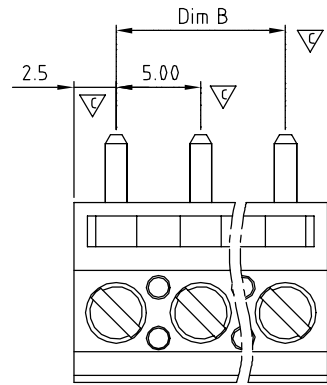


SIGN	DATE	DESCRIPTION	APPROVER
△	03/09`13	update the drawing	Guoxue
THIS IS CAD DRAWING, DO NOT REVISE MANUALLY!!!			



Material

- Item①Terminal: Brass(CuZn), Tin plated.
- Item②Terminal screw: Steel,“-” slot type Zinc plated.
- Item③ Wire guard :stainless steel
- Item④ Terminal(housing): Thermoplastic (UL94V-0)

Electrical

- Voltage rating: 300V
- Current rating: 15A
- Solid wire(AWG): 14-22
- Stranded wire(AWG): 14-22
- Torque: 3.5Lb-In
- Screw: M2.6
- Wire strip length: 5-6mm
- Withstanding Voltage: 1.6KV
- Operating temperature: -40°C to +115°C
- Soldering temperature: 260°C±5°C/5 Sec
- △ Safety Approval: us
- Critical dimension: ▽

E7 xx 01x 0 xxxx G

Solid Block
02 2 Poles
03 3 Poles
.....
20 20 Poles

Color

- 0 Black (RAL9005)
- 2 Red (RAL3001/D)
- 3 Orange(RAL2011/P)
- 4 Yellow(RAL1018/A)
- 5 Green(RAL6018/T)
- 6 Blue (RAL5015/A)
- 8 Grey(RAL7035/D)
- 9 White(RAL1102)
- C Green(RAL6018/U)

G RoHS compliant
(lead<4%)
In copper Alloy

0000: "@ " Logo
000A: "ANYTEK" Mark
Any special item by
customer request.
please contact sales
department.

N=Number of poles

DIM		TOL		
		2P-6P	7P-13P	14P-20P
Dim L	NX5.0	±0.15	±0.25	±0.35
Dim B	(N-1)X5.0	±0.10	±0.20	±0.30

ANYTEK

CUSTOMER COPY

ALL RIGHTS RESERVED. REPRODUCTION OR ISSUE TO THIRD PARTIES IN ANY FORM WHATSOEVER IS NOT PERMITTED WITHOUT WRITTEN AUTHORITY FROM THE PROPRIETOR. PROPERTY OF ANYTEK TECHNOLOGY CO., LTD

TITLE		E7-5.0mm series		DWG NO.		8E70001	
PART NO.		E7xx01x0xxxxG		DWG NO.		8E70001	
APPROVED	CHECKED	DESIGNED	DRAWN	CUST NO.		Tolerance	
		Guoxue 2013.03.09	Guoxue 2013.03.09			UNIT: mm	X. ±0.50
						SCALE: NONE	X.X ±0.30
SHEET: 01/01				REV.: C		X.XX ±0.10	X° ±1°