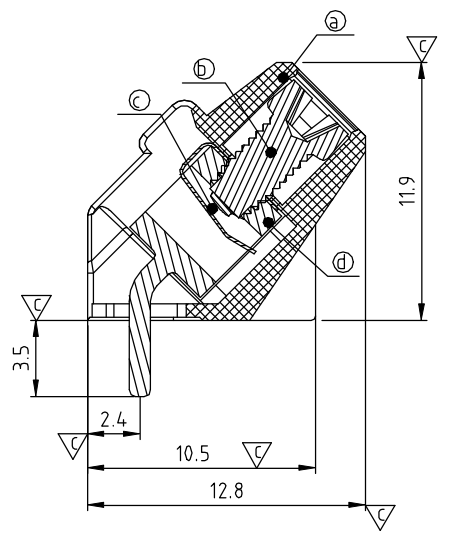
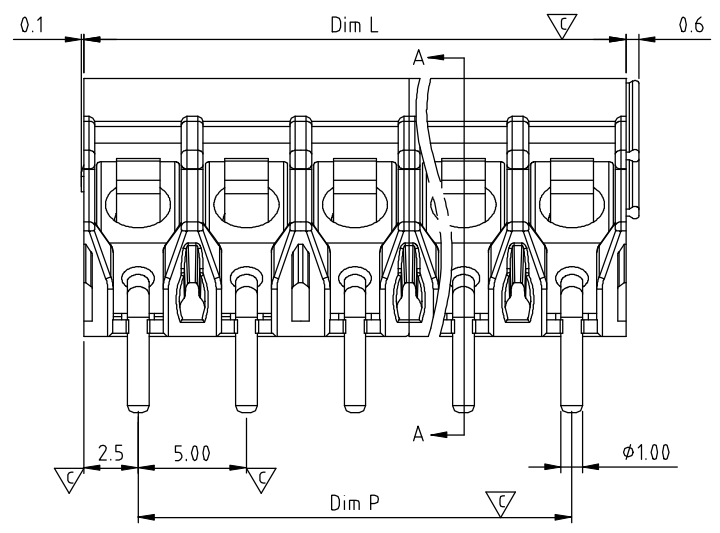
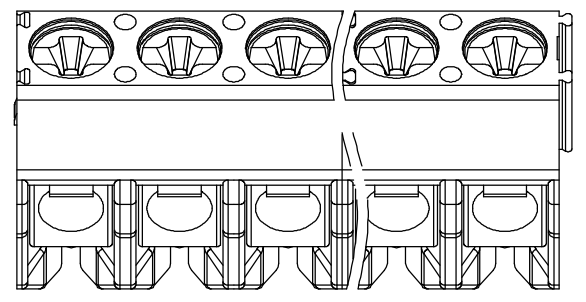


SIGN	DATE	DESCRIPTION	APPROVER
△	07/09'13	update the drawing	Guoxue
THIS IS CAD DRAWING, DO NOT REVISE MANUALLY!!!			



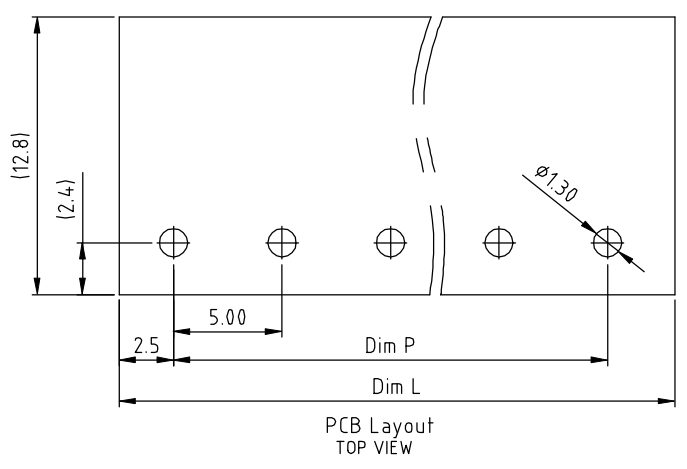
Materials
 Item a Terminal housing : PA66 (UL94V-0)
 Item b Terminal screw: Steel Zinc plating "+/-" slot type
 Item c Wire guard : Stainless steel
 Item d Terminal body: Brass(CuZn) ,Tin Plated

- Electrical cULus
- Voltage rating: 300VAC
 - Current rating: 15A
 - Wire range:
 - Solid wire(AWG): 12-26
 - Stranded wire(AWG): 12-26
 - Torque(Lb-In): 3.5
 - Screw: M2.6
 - Wire strip length: 5-6mm
 - Withstanding Voltage: 1.6KV
 - Operating temperature: -40°C to +115°C
 - △ ● Soldering temperature: 260°C±5°C/5 Sec
 - △ ● Safety Approval: cULus
 - Critical dimension: ▽

△ KZ xx 7 0 x 1 xxxx G

- End stackable
 02 2 POLES
 03 3 POLES

 24 24 POLES
- COLOR
- 0 Black
 - 2 Red (RAL3001/D)
 - 3 Orange(RAL2011/P)
 - 4 Yellow(RAL1018/A)
 - 5 Green(RAL6018/T)
 - 6 Blue (RAL5015/A)
 - 8 Grey(RAL7035/D)
 - 9 White
 - C Green(RAL 6018/U)
- RoHS compliant
 (lead<4%)
 In copper Alloy
- 0000: "@ " Logo (Standard)
 000A: "ANYTEK" Mark
- Any special item by customer request.
 please contact sales department.



N = Number of poles
 Dim L = N x 5.0
 Dim P = (N-1) x 5.0

Poles	Dim L	Dim P
2-6p	±0.15	±0.15
7-12p	±0.25	±0.25
13-18p	±0.35	±0.35
19-24p	±0.40	±0.40

ANYTEK		CUSTOMER COPY	
ALL RIGHTS RESERVED. REPRODUCTION OR ISSUE TO THIRD PARTIES IN ANY FORM WHATSOEVER IS NOT PERMITTED WITHOUT WRITTEN AUTHORITY FROM THE PROPRIETOR. PROPERTY OF ANYTEK TECHNOLOGY CO., LTD			
TITLE	KZ 5.0 Series (" +/- "Screw&Round hole)		
PART NO.	KZxx70x1xxxxG	DWG NO.	8KZ0102
APPROVED	CHECKED	DESIGNED	DRAWN
		Guoxue 2013.07.09	Guoxue 2013.07.09
SHEET: 01/01		Tolerance	
		UNIT: mm	X. ±0.5
		SCALE: NONE	X.X ±0.3
		REV.: C	X.XX ±0.1
			X° ±1°