




SIGN	DATE	DESCRIPTION	APPROVER
△	2/01'13	temperature changed from 250°C±10°C/5 Sec to 260°C±5°C/5 Sec	Guoxue
△	2/01'13	add the safety certification icon	Guoxue
△	2/01'13	update the drawing	Guoxue

THIS IS CAD DRAWING, DO NOT REVISE MANUALLY!!!

Materials

Item 1 Terminal housing	PA66 (UL94V-0)
Item 2 Terminal screw	Steel Zinc plating("+/-" slot type)
Item 3 Wire guard	Stainless steel
Item 4 Terminal body	Brass(CuZn),Tin Plated

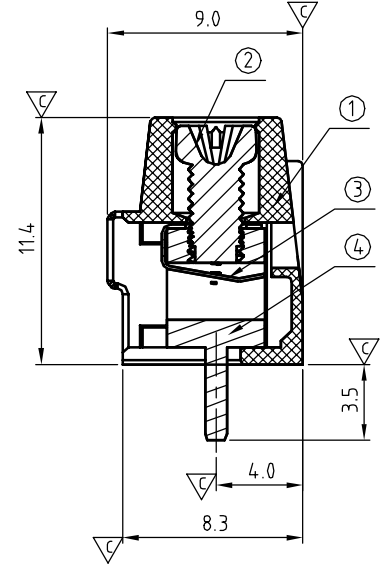
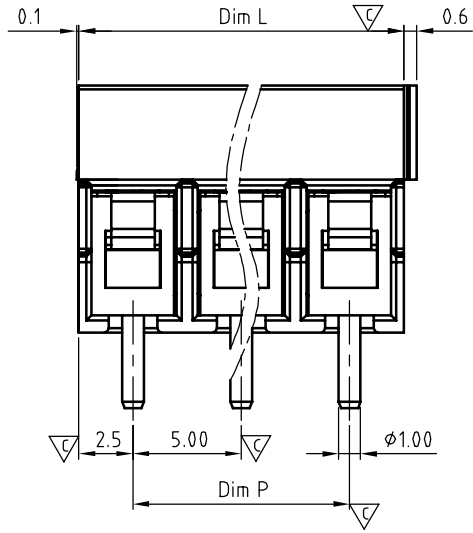
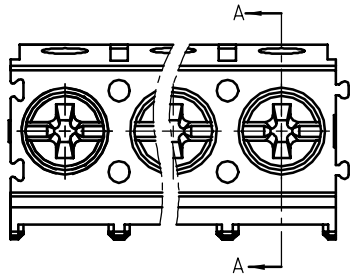
Electrical cULus CQC

- Voltage rating: 300VAC 250VAC
- Current rating: 15A 24A
- Wire range:
 - Solid wire(AWG): 12-24 0.2-2.5mm²
 - Stranded wire(AWG): 12-24 0.2-2.5mm²
- Torque(Lb-In): 3.0 0.4N.m
- Screw: M2.6
- Wire strip length: 5-6mm
- Withstanding Voltage: 1.6KV 2KV
- Operating temperature: -40°C to +115°C
- Soldering temperature: 260°C±5°C/5 Sec
- Safety Approval:  
- Critical dimension: 

KY xx 00 x 0 xxxx G

End to end stackable design	0	Black (RAL9005)	0000 "@" Logo
02 2 POLES	5	Green (RAL 6018/T)	000A "ANY" Logo
03 3 POLES	6	Blue (RAL 5015/A)
... ..	8	Grey (RAL 7035/D)	Any special item by customer request, please contact sales department
24 24 POLES	C	Green (RAL 6018/U)	

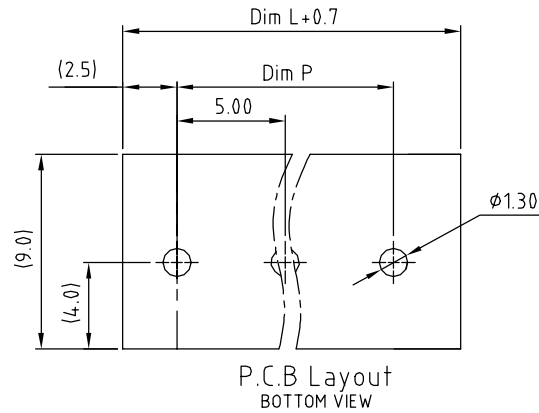
G RoHS compliant (lead<4%) In copper Alloy



SECTION A-A

N = Number of poles
 Dim L=Nx5.0
 Dim P=(N-1)x5.0

Poles	Dim L	Dim P
2-6p	±0.15	±0.10
7-12p	±0.20	±0.20
13-18p	±0.30	±0.25
19-24p	±0.40	±0.30



P.C.B Layout
BOTTOM VIEW

ANYTEK		CUSTOMER COPY	
ALL RIGHTS RESERVED. REPRODUCTION OR ISSUE TO THIRD PARTIES IN ANY FORM WHATSOEVER IS NOT PERMITTED WITHOUT WRITTEN AUTHORITY FROM THE PROPRIETOR. PROPERTY OF ANYTEK TECHNOLOGY CO., LTD			
TITLE	KY 5.0 Series 180° ("+/-"Screw&Square hole)		
PART NO.	KYxx00x0xxxxG	DWG NO.	8KY0003
APPROVED	CHECKED	DESIGNED	DRAWN
		Guoxue 2013.02.01	Guoxue 2013.02.01
SHEET: 01/01		Tolerance	
UNIT: mm		X. ±0.5	
SCALE: NONE		X.X ±0.3	
REV.: C		X.XX ±0.1	
		X° ±1°	