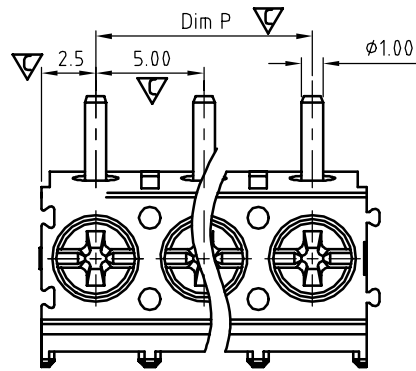


SIGN	DATE	DESCRIPTION	APPROVER
△	2/01'13	temperature changed from 250°C±10°C/5 Sec to 260°C±5°C/5 Sec	Guoxue
△	2/01'13	add the safety certification icon	Guoxue
△	2/01'13	update the drawing	Guoxue

THIS IS CAD DRAWING, DO NOT REVISE MANUALLY!!!



N = Number of poles
 Dim L = N x 5.0
 Dim P = (N-1) x 5.0

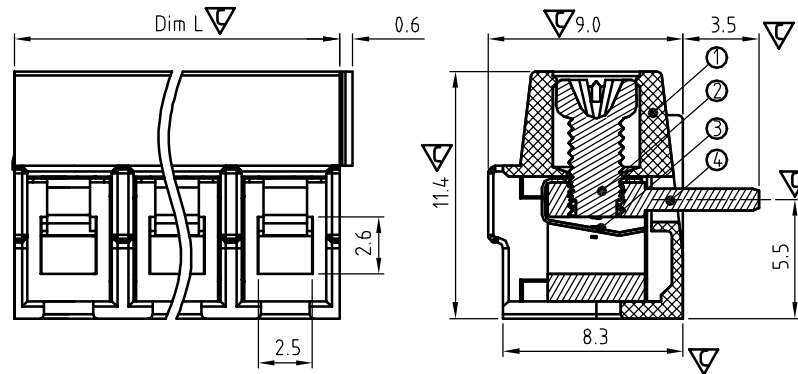
Poles	Dim.	Dim L	Dim P
2-6p		±0.15	±0.10
7-12p		±0.20	±0.20
13-18p		±0.30	±0.25
19-24p		±0.40	±0.30

Materials

Item ① insulating body	PA66 (UL94V-0)
Item ② Steel screw	Screw, Zinc plating("+/-" slot type)
Item ③ Wire guard	Stainless steel
Item ④ Terminal body	Brass(CuZn) Tin Plated

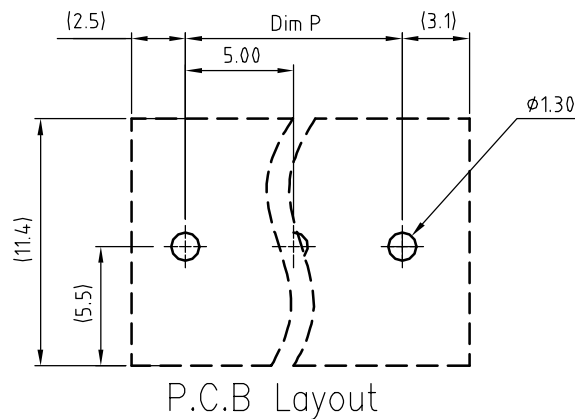
Electrical cULus CQC

- Voltage rating: 300VAC 250VAC
- Current rating: 15A 24A
- Wire range:
 - Solid wire(AWG): 12-24 0.2-2.5mm²
 - Stranded wire(AWG): 12-24 0.2-2.5mm²
 - Torque(Lb-In): 3.0 0.4N.m
- Screw: M2.6
- Wire strip length: 5-6mm
- Withstanding Voltage: 1.6KV 2KV
- Operating temperature: -40°C to +115°C
- Soldering temperature: 260°C±5°C/5 Sec
- Safety Approval: cULus CQC
- Critical dimension:



KY xx 00 x 1 xxxx G

End to end stackable design	0	Black (RAL9005)	1	90°Wire inlet(Square hole) (Vertical)	0000	"@" Logo	G RoHS compliant (lead<4%) In copper Alloy
02 2 POLES	5	Green (RAL 6018/T)			000A	"ANY" Logo	
03 3 POLES	6	Blue (RAL 5015/A)			Any special item by customer request, please contact sales department
...	8	Grey (RAL 7035/D)					
24 24 POLES	C	Green (RAL 6018/U)					



ANYTEK				CUSTOMER COPY			
ALL RIGHTS RESERVED. REPRODUCTION OR ISSUE TO THIRD PARTIES IN ANY FORM WHATEVER IS NOT PERMITTED WITHOUT WRITTEN AUTHORITY FROM THE PROPRIETOR. PROPERTY OF ANYTEK TECHNOLOGY CO., LTD							
TITLE		KY 5.0 Series 90° ("+"Screw&Square hole)					
PART NO.		KYxx00x1xxxxG			DWG NO.		8KY0001
APPROVED		CHECKED	DESIGNED	DRAWN	CUST NO.		Tolerance
			Guoxue 2013.02.01	Guoxue 2013.02.01			X. ±0.5 X.X ±0.3 X.XX ±0.1 X° ±1°
				SHEET: 01/01		UNIT: mm SCALE: NONE REV.: C	