

SIGN	DATE	DESCRIPTION	APPROVER
△	2/01'13	temperature changed from 250°C±10°C/5 Sec to 260°C±5°C/5 Sec	Guoxue
△	2/01'13	add the safety certification icon	Guoxue
△	2/01'13	update the drawing	Guoxue

THIS IS CAD DRAWING, DO NOT REVISE MANUALLY!!!

Materials

Item 1 Terminal housing	PA66 (UL94V-0)
Item 2 Terminal screw	Steel Zinc plating("+-" slot type)
Item 3 Wire guard	Stainless steel
Item 4 Terminal body	Brass(CuZn),Tin Plated

Electrical	cULus	CQC
● Voltage rating:	300VAC	250VAC
● Current rating:	15A	24A
● Wire range:		
● Solid wire(AWG):	12-24	0.2-2.5mm ²
● Stranded wire(AWG):	12-24	0.2-2.5mm ²
● Torque(Lb-In):	3.0	0.4N.m
● Screw:	M2.6	
● Wire strip length:	5-6mm	
● Withstanding Voltage:	1.6KV	2KV
● Operating temperature:	-40°C to +115°C	
● Soldering temperature:	260°C±5°C/5 Sec	
● Safety Approval:		
● Critical dimension:		

KY xx 00 x 2 xxxx G

- End to end stackable design
- 02 2 POLES
- 03 3 POLES
-
- 24 24 POLES

0 Black (RAL9005)

5 Green (RAL 6018/T)

6 Blue (RAL 5015/A)

8 Grey (RAL 7035/D)

C Green (RAL 6018/U)

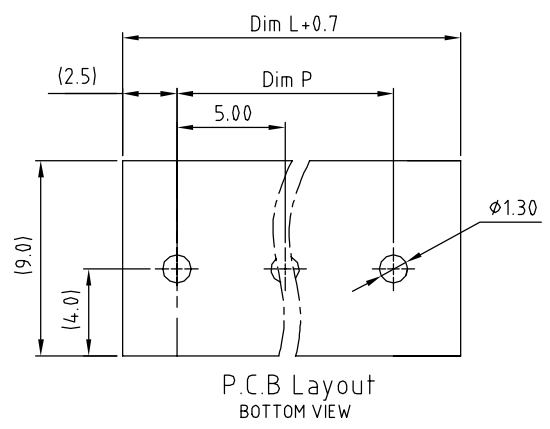
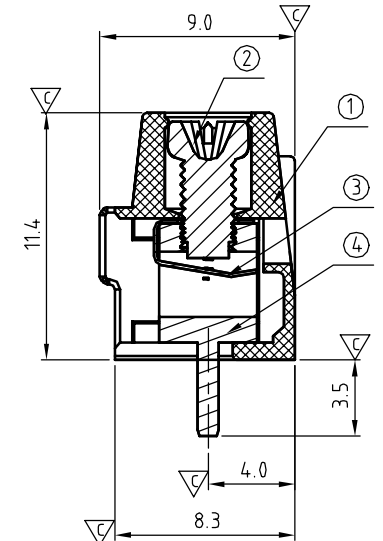
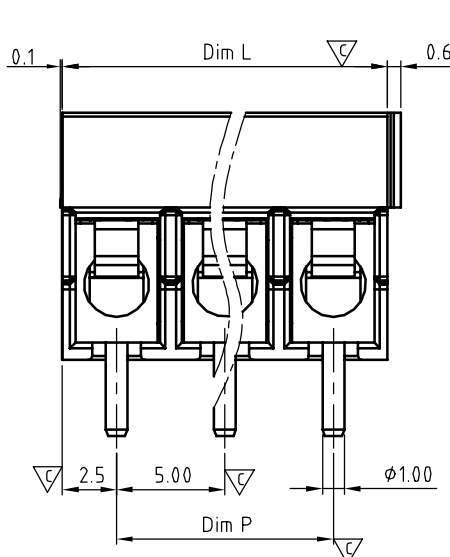
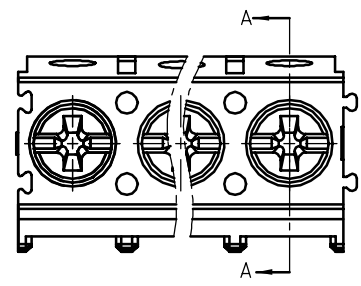
G RoHS compliant (lead<4%) In copper Alloy

0000 "@" Logo

000A "ANY" Logo

... ..

Any special item by customer request, please contact sales department



N = Number of poles
 Dim L=Nx5.0
 Dim P=(N-1)x5.0

Poles	Dim.	Dim L	Dim P
2-6p		±0.15	±0.10
7-12p		±0.20	±0.20
13-18p		±0.30	±0.25
19-24p		±0.40	±0.30

ANYTEK		CUSTOMER COPY	
TITLE	KY 5.0 Series 180° ("+-"Screw&Round hole)		
PART NO.	KYxx00x2xxxxG	DWG NO.	8KY0004
APPROVED	CHECKED	DESIGNED	DRAWN
		Guoxue 2013.02.01	Guoxue 2013.02.01
SHEET: 01/01		UNIT: mm	Tolerance
SCALE: NONE		X. ±0.5	X.X ±0.3
REV.: C		X.XX ±0.1	X° ±1°