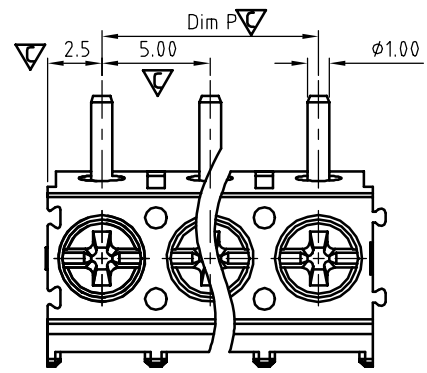


SIGN	DATE	DESCRIPTION	APPROVER
△	2/01'13	temperature changed from 250°C±10°C/5 Sec to 260°C±5°C/5 Sec	Guoxue
△	2/01'13	add the safety certification icon	Guoxue
△	2/01'13	update the drawing	Guoxue

*THIS IS CAD DRAWING, DO NOT REVISE MANUALLY!!!*



N = Number of poles  
 Dim L = N x 5.0  
 Dim P = (N-1) x 5.0

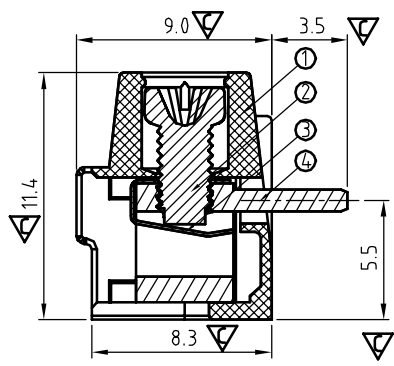
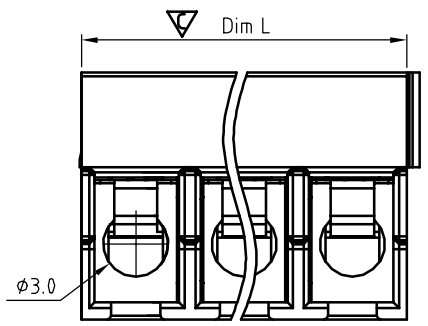
Poles	Dim.	Dim L	Dim P
2-6p		±0.15	±0.10
7-12p		±0.20	±0.20
13-18p		±0.30	±0.25
19-24p		±0.40	±0.30

**Materials**

- Item ① insulating body PA66 (UL94V-0)
- Item ② Steel screw Screw, Zinc plating("+/-" slot type)
- Item ③ Wire guard Stainless steel
- Item ④ Terminal body Brass(CuZn) Tin Plated

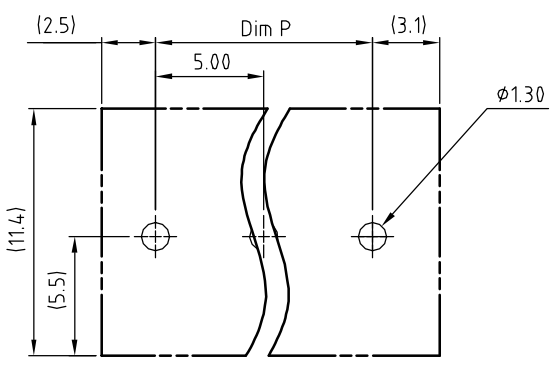
**Electrical** cULus CQC

- Voltage rating: 300VAC 250VAC
- Current rating: 15A 24A
- Wire range:
- △ ● Solid wire(AWG): 12-24 0.2-2.5mm<sup>2</sup>
- Stranded wire(AWG): 12-24 0.2-2.5mm<sup>2</sup>
- Torque(Lb-In): 3.0 0.4N.m
- Screw: M2.6
- Wire strip length: 5-6mm
- Withstanding Voltage: 1.6KV 2KV
- Operating temperature: -40°C to +115°C
- △ ● Soldering temperature: 260°C±5°C/5 Sec
- △ ● Safety Approval:
- Critical dimension:



**KY xx 00 x 3 xxxx G**

End to end stackable design	0 Black (RAL 9005)	3 90° Wire inlet (Round hole) (Vertical)	0000 "@" Logo	G RoHS compliant (lead<4%) In copper Alloy
02 2 POLES	5 Green (RAL 6018/T)		000A "ANY" Logo	
03 3 POLES	6 Blue (RAL 5015/A)		...	
... ..	8 Grey (RAL 7035/D)		Any special item by customer request, please contact sales department	
24 24 POLES	C Green (RAL 6018/U)			



P.C.B Layout

<b>ANYTEK</b>		<b>CUSTOMER COPY</b>	
ALL RIGHTS RESERVED. REPRODUCTION OR ISSUE TO THIRD PARTIES IN ANY FORM WHATSOEVER IS NOT PERMITTED WITHOUT WRITTEN AUTHORITY FROM THE PROPRIETOR. PROPERTY OF ANYTEK TECHNOLOGY CO., LTD			
TITLE	KY 5.0 Series 90° ("+"-")Screw&Round hole		
PART NO.	KYxx00x3xxxxG	DWG NO.	8KY0002
APPROVED	CHECKED	DESIGNED	DRAWN
		Guoxue 2013.02.01	Guoxue 2013.02.01
SHEET: 01/01		UNIT: mm	Tolerance
SCALE: NONE		X. ±0.5	X.X ±0.3
REV.: C		X.XX ±0.1	X° ±1°