

SIGN	DATE	DESCRIPTION	APPROVER
△	7/07'09	Electrical standard is changed from UL/cUL to cULus	Kind
△	7/07'09	Current rating changed from 8A to 10A	Kind
△	7/07'09	Operating tem. changed from -30°C~105°C to -40°C~115°C	Kind
△	7/07'09	Add VDE Certification	Kind
△	2/03'12	Add the Elevation view	Chen Bo

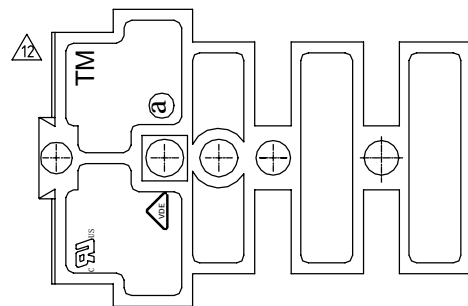
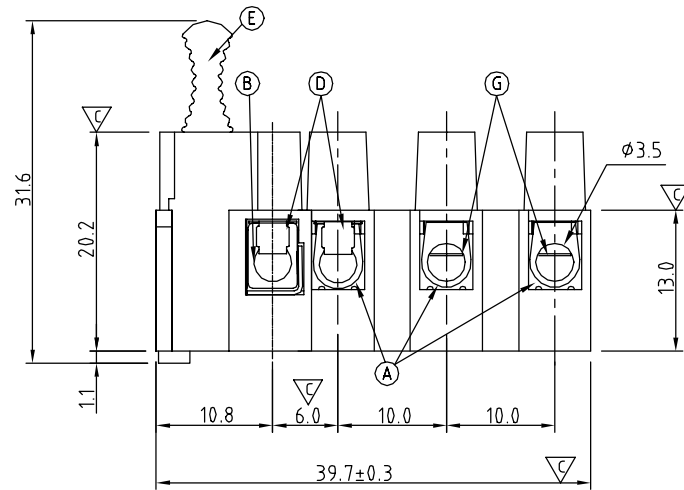
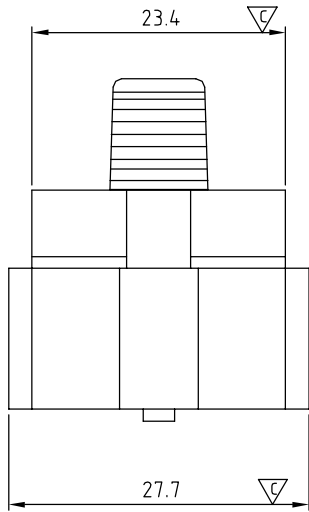
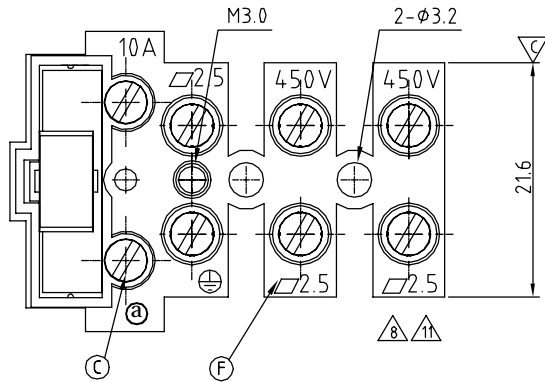
*THIS IS CAD DRAWING, DO NOT REVISE MANUALLY!!!*

**Material**

- (A) Terminal body(metal housing of double): Brass(CuZn),Ni plated
- (B) Terminal body(metal housing of single): Brass(CuZn),Ni plated
- (C) Terminal screw: Steel Zinc plating "-" slot type
- (D) Wire guard: Steeless steel
- (E) Insulator (lever): Thermoplastic (UL94V-0)
- (F) Insulator (housing): Thermoplastic (UL94V-0)

- △ 8 △ 5 Electrical cULus VDE
  - Voltage rating: 400VAC / 450VAC
  - Current rating: 10A / 24A
  - Wire range: 0.34~2.5mm<sup>2</sup>
  - Solid wire(AWG): 14-22
  - Stranded wire(AWG): 14-22
  - Torque(Lb-In): 3.5 /0.5
  - Screw: M3 /Nm
  - Wire strip length: 7-8mm
  - Withstanding Voltage: 1.8KV / 2.5KV
- △ 7 ● Operating temperature: -40°C to +115°C
- Safety Approval:
- Critical dimension:

<b>ANYTEK</b>				<b>CUSTOMER COPY</b>			
ALL RIGHTS RESERVED. REPRODUCTION OR ISSUE TO THIRD PARTIES IN ANY FORM WHATSOEVER IS NOT PERMITTED WITHOUT WRITTEN AUTHORITY FROM THE PROPRIETOR. PROPERTY OF ANYTEK TECHNOLOGY CO., LTD							
TITLE	TM - series 3 Poles			DWG NO.	8TM0001		
PART NO.	TM0319000000G			CUST NO.			
APPROVED	CHECKED	DESIGNED	DRAWN			Tolerance	
			Chen Bo 02/03'12			UNIT: mm	X.    ±0.50
				SHEET: 01/01	REV.: G	X°    ±1°	



SIGN	DATE	DESCRIPTION	APPROVER
△	7/07'09	Electrical standard is changed from UL/cUL to cULus	Kind
△	7/07'09	Current rating changed from 8A to 10A	Kind
△	7/07'09	Operating tem. changed from -30°C~105°C to -40°C~115°C	Kind
△	7/07'09	Add VDE Certification	Kind
△	6/14'10	Current rating changed from 10A to 2.5	Chen Bo
△	2/03'12	Add the Elevation view	Chen Bo

*THIS IS CAD DRAWING, DO NOT REVISE MANUALLY!!!*

**Material**

- (A) Terminal body(metal housing of double): Brass(CuZn),Ni plated
- (B) Terminal body(metal housing of single): Brass(CuZn),Ni plated
- (C) Terminal screw: Steel Zinc plating "-" slot type
- (D) Wire guard(short): Steeless steel
- (E) Insulator (lever): Thermoplastic (UL94V-0)
- (F) Insulator (housing): Thermoplastic (UL94V-0)
- (G) Wire guard(long): Steeless steel

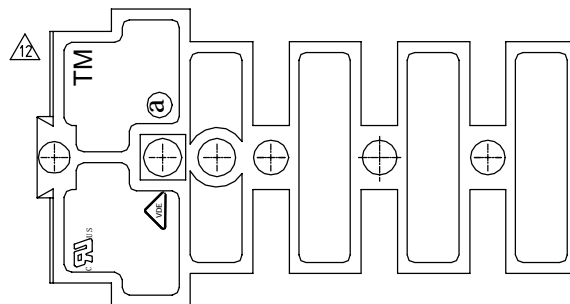
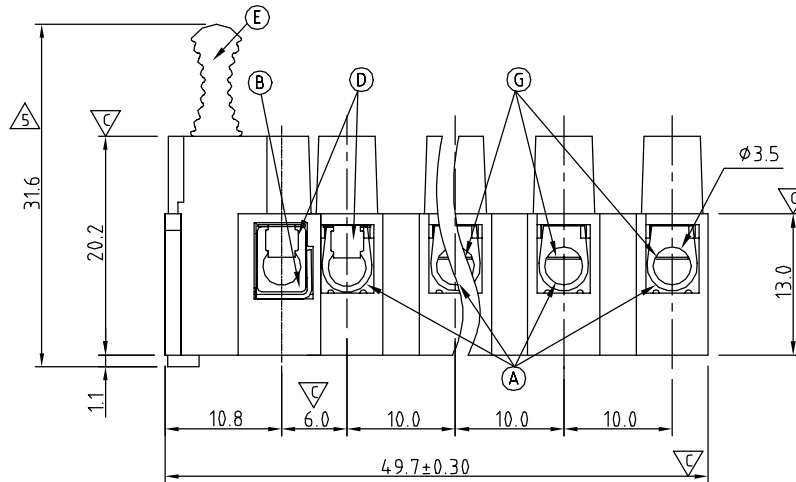
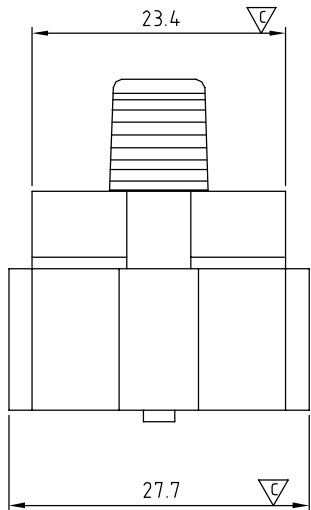
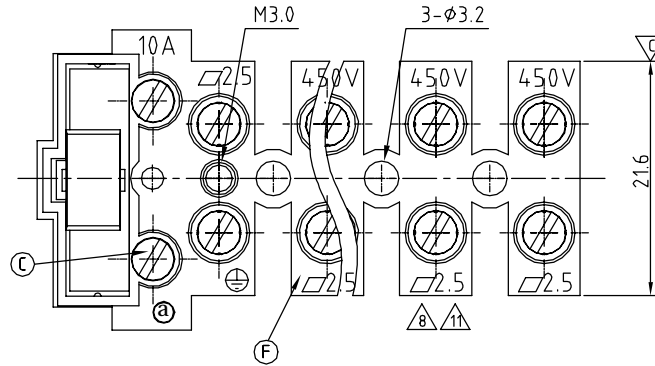
- △ 10 Electrical cULus VDE
  - Voltage rating: 400VAC / 450VAC
- △ 8
  - Current rating: 10A / 24A
  - Wire range: 0.34~2.5mm<sup>2</sup>
  - Solid wire(AWG): 14-22
  - Stranded wire(AWG): 14-22
  - Torque(Lb-In): 3.5 /0.5
  - Screw: M3 /Nm
  - Wire strip length: 7-8mm
  - Withstanding Voltage: 1.8KV / 2.5KV
- △ 9
  - Operating temperature: -40°C to +115°C
  - Safety Approval: cULus VDE
  - Critical dimension: ∇

**ANYTEK**

**CUSTOMER COPY**

ALL RIGHTS RESERVED. REPRODUCTION OR ISSUE TO THIRD PARTIES IN ANY FORM WHATSOEVER IS NOT PERMITTED WITHOUT WRITTEN AUTHORITY FROM THE PROPRIETOR. PROPERTY OF ANYTEK TECHNOLOGY CO., LTD

TITLE		TM - Series Fuse holder with 4 Poles			
PART NO.	TM04.19010000G	DWG NO.	8TM0701		
APPROVED	CHECKED	DESIGNED	DRAWN	CUST NO.	Tolerance
			Chen Bo 02/03'12		X. ±0.50
					UNIT: mm
				SHEET: 01/01	X.XX ±0.10
				REV.: H	X° ±1°



SIGN	DATE	DESCRIPTION	APPROVER
△	7/07'09	Electrical standard is changed from UL/cUL to cULus	Kind
△	7/07'09	Current rating changed from 8A to 10A	Kind
△	7/07'09	Operating tem. changed from -30°C~105°C to -40°C~115°C	Kind
△	7/07'09	Add VDE Certification	Kind
△	6/14'10	Current rating changed from 10A to 12.5	Chen Bo
△	2/03'12	Add the Elevation view	Chen Bo

*THIS IS CAD DRAWING, DO NOT REVISE MANUALLY!!!*

**Material**

- (A) Terminal body(metal housing of double): Brass(CuZn),Ni plated
- (B) Terminal body(metal housing of single ): Brass(CuZn),Ni plated
- (C) Terminal screw: Steel Zinc plating "-" slot type
- (D) Wire guard(short): Steeless steel
- (E) Insulator (lever): Thermoplastic (UL94V-0)
- (F) Insulator (housing): Thermoplastic (UL94V-0)
- (G) Wire guard(Long): Steeless steel

- △10 △7 Electrical cULus VDE
  - Voltage rating: 400VAC / 450VAC
- △8 ● Current rating: 10A / 24A
  - Wire range: 0.34~2.5mm<sup>2</sup>
  - Solid wire(AWG): 14-22
  - Stranded wire(AWG): 14-22
  - Torque(Lb-In): 3.5 /0.5 Nm
  - Screw: M3
  - Wire strip length: 7-8mm
  - Withstanding Voltage: 1.8KV / 2.5KV
- △9 ● Operating temperature: -40°C to +115°C
  - Safety Approval:
  - Critical dimension:

<b>ANYTEK</b>				<b>CUSTOMER COPY</b>			
ALL RIGHTS RESERVED. REPRODUCTION OR ISSUE TO THIRD PARTIES IN ANY FORM WHATSOEVER IS NOT PERMITTED WITHOUT WRITTEN AUTHORITY FROM THE PROPRIETOR. PROPERTY OF ANYTEK TECHNOLOGY CO., LTD							
TITLE		TM - series 5 Poles with handle					
PART NO.		TM0519000000G			DWG NO.		8TM0301
APPROVED		CHECKED	DESIGNED	DRAWN	CUST NO.		Tolerance
				Chen Bo 02/03'12			X. ±0.50
							UNIT: mm
					SHEET: 01/01	SCALE: NONE	X.XX ±0.10
					REV.: H		X° ±1°