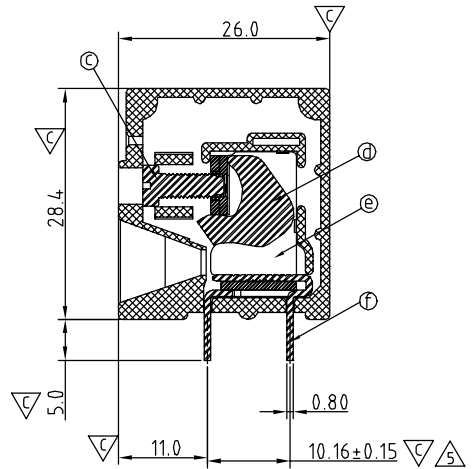
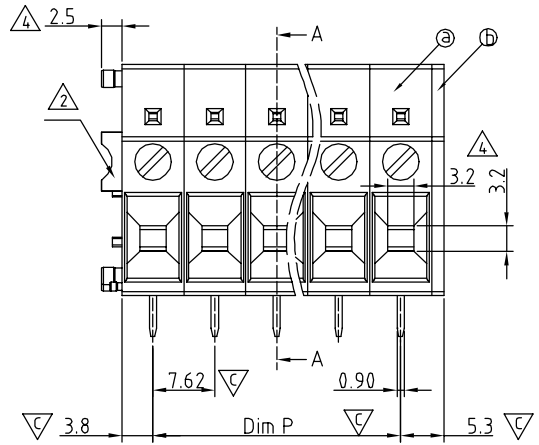
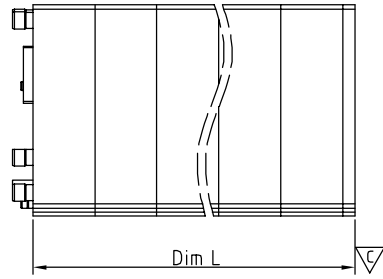
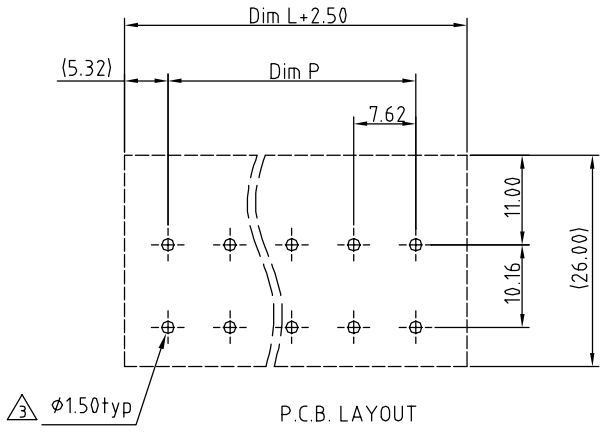


| SIGN | DATE       | DESCRIPTION  | APPROVER |
|------|------------|--|----------|
| △    | 2010.05.31 | Add cULus standard   | Jacke    |
| △    | 2011.12.30 | The design is changed  | Chen Bo  |
| △    | 2011.12.30 | The dimension is changed from $\phi 1.60\text{mm}$ to $\phi 1.50\text{mm}$ | Chen Bo  |
| △    | 2011.12.30 | The Dimension 2.5 & 3.2 are added  | Chen Bo  |
| △    | 2011.12.30 | The dimension is changed from 10.16 to $10.16\pm 0.15$                     | Chen Bo  |



SECTION A-A



N = Number of poles  
 Dim L =  $N \times 7.62 + 1.5$   
 Dim P =  $(N - 1) \times 7.62$

|        | Dim L      | Dim P      |
|--------|------------|------------|
| 2-4p   | $\pm 0.25$ | $\pm 0.20$ |
| 5-7p   | $\pm 0.30$ | $\pm 0.25$ |
| 8-11p  | $\pm 0.35$ | $\pm 0.30$ |
| 12-16p | $\pm 0.40$ | $\pm 0.35$ |

Material

- Item a Terminal body: Thermoplastic ( UL94V-0 )
- Item b Terminal cover: Thermoplastic ( UL94V-0 )
- Item c Terminal screw: Steel Zinc plating "-" slot type
- Item d Clampage: Steel Zinc plated
- Item e Clamp: Steel, Zinc plating
- Item f Solder pin: Copper, Tin plated

Electrical

- Voltage rating: 300VAC
- Current rating: 30A
- Wire range:
- Solid wire(AWG): 10-24
- Stranded wire(AWG): 10-24
- Torque(Lb-In): 4.3
- Screw: M3
- Wire strip length: 15-16mm
- Withstanding Voltage: 1.6KV
- Operating temperature:  $-40^{\circ}\text{C}$  to  $+115^{\circ}\text{C}$
- Soldering temperature:  $250^{\circ}\text{C} \pm 10^{\circ}\text{C} / 5 \text{ Sec}$
- Safety Approval:
- Critical dimension:  $\nabla$

**KH xx 15 x 1 xxxx G**

|                |                    |                                       |  |
|----------------|--------------------|---------------------------------------|--|
| 02 2 CONTACTS  | 0 Black (RAL9005)  | 0000 Standard @ Logo                  | G RoHS compliant (lead-4%) In copper Alloy |
| 03 3 CONTACTS  | 5 Green(RAL6018/T) | 000A Standard ANY Logo                |  |
| ... ..         | 6 Blue (RAL5015/A) | Any special item by customer request, |  |
| 16 16 CONTACTS | 8 Grey(RAL7035/D)  | please contact sales department.      |  |
|                | C Green(RAL6018/U) |                                       |  |

|               |               |                      |                     |   |                                |      |                 |
|---------------|---------------|----------------------|---------------------|---|--------------------------------|------|-----------------|
| <b>ANYTEK</b> |               | <b>CUSTOMER COPY</b> |                     | ALL RIGHTS RESERVED. REPRODUCTION OR ISSUE TO THIRD PARTIES IN ANY FORM WHATSOEVER IS NOT PERMITTED WITHOUT WRITTEN AUTHORITY FROM THE PROPRIETOR. PROPERTY OF ANYTEK TECHNOLOGY CO., LTD |                                |      |                 |
|               |               |                      |                     | TITLE   | KH 7.62 Series 180D Wire Inlet |      |                 |
| PART NO.      | KHxx15x1xxxxG |                      | DWG NO.             | 8KH0101   |                                |      |                 |
| APPROVED      | CHECKED       | DESIGNED             | DRAWN               | CUST NO.  | Tolerance                      |      |                 |
|               |               |                      | Chen Bo<br>12/30/11 |   | UNIT: mm                       | X.   | $\pm 0.50$      |
|               |               |                      |                     |   | SCALE: NONE                    | X.X  | $\pm 0.30$      |
|               |               |                      |                     | SHEET: 01/01  | REV.: C                        | X.XX | $\pm 0.10$      |
|               |               |                      |                     |   |                                | X°   | $\pm 1^{\circ}$ |