

SIGN	DATE	DESCRIPTION	APPROVER
△	11.01'05	Standard spec is changed.	Marivn
△	02/01'07	Soldering temperature is changed from 245°C to 250°C	Marivn
△	08/20'09	Operating temperature is changed from -30~105°C to -40~115°C	Kind
△	08/20'09	drawing code changed.	Kind

*THIS IS CAD DRAWING, DO NOT REVISE MANUALLY!!!*

**Material**

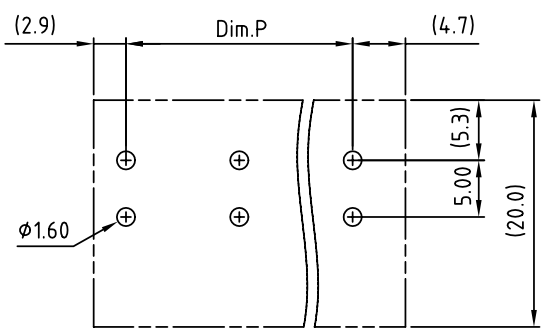
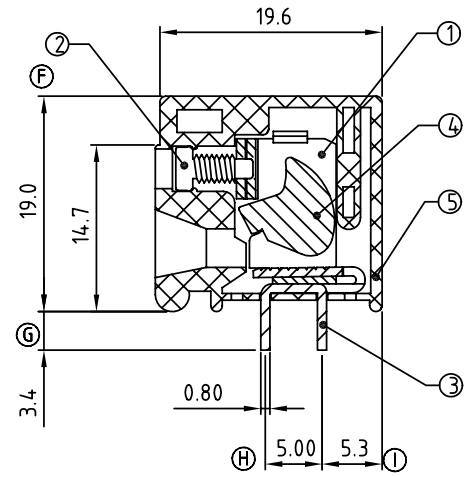
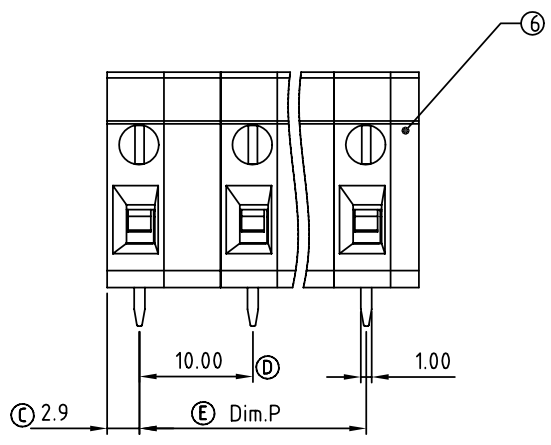
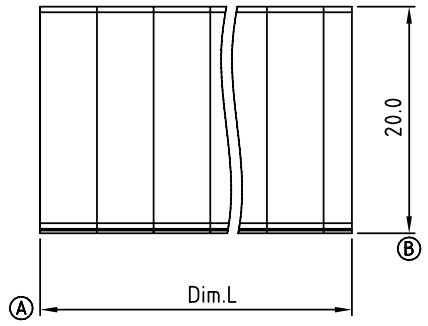
- Item ① Terminal body: steel stamping clamp Zinc plating
- Item ② Terminal screw: Steel Zinc plating "-" slot type
- Item ③ Solder pin: Brass, Tin plated
- Item ④ Firm wire chunk: steel Zinc plating
- Item ⑤ Terminal housing: Thermoplastic (UL94V-0)
- Item ⑥ Terminal cover: Thermoplastic (UL94V-0)

△ Electrical cULus

- Voltage rating: 300VAC
- Current rating: 20A
- Wire range:
  - Solid wire(AWG): 12-22
  - Stranded wire(AWG): 12-22
- Torque(Lb-In): 2.4
- Screw: M2.5
- Wire strip length: 10-11mm
- Withstanding Voltage: 1.6KV
- △ ● Operating temperature: -40°C to +115°C
- △ ● Soldering temperature: 250°C±10°C/5 Sec
- Safety Approval: us

**TR xx 15 x 1 xxxx G**

02 2Poles	0 Black	0000: "@" Logo	RoHS
03 3Poles	5 Green	000A: "ANYTEK" Logo	Pb<40,000ppm
... ..	6 Blue	Any special item by customer request.	
12 12Poles	8 Grey	please contact sales department.	



N=Number of Poles  
 Dim.L=Nx10.0-2.5  
 Dim.P=(N-1)x10.0

POLE	2P-4P	5P-8P	9P-12P
Dim.L	±0.20	±0.30	±0.40
Dim.P	±0.20	±0.25	±0.30

P.C.B LAYOUT

<h1>ANYTEK</h1>		<h2>CUSTOMER COPY</h2>	
ALL RIGHTS RESERVED. REPRODUCTION OR ISSUE TO THIRD PARTIES IN ANY FORM WHATSOEVER IS NOT PERMITTED WITHOUT WRITTEN AUTHORITY FROM THE PROPRIETOR. PROPERTY OF ANYTEK TECHNOLOGY CO., LTD			
TITLE		TR 10.0 Series Horizontal (180D wire inlet)	
PART NO.	TRxx15x1xxxxG	DWG NO.	8TR0301 △
APPROVED	CHECKED	DESIGNED	DRAWN
		Kind 2009.8.20	Kind 2009.8.20
		SHEET: 01/01	
		Tolerance X. ±0.50 X.X ±0.30 X.XX ±0.10 X° ±1°	
		UNIT: mm SCALE: NONE REV.: F	