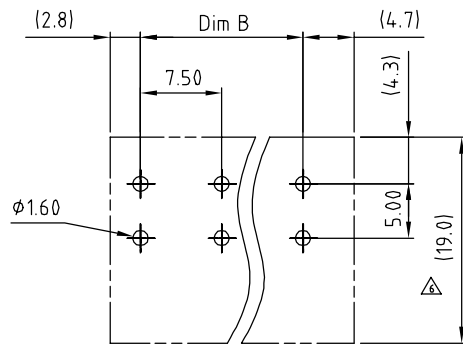
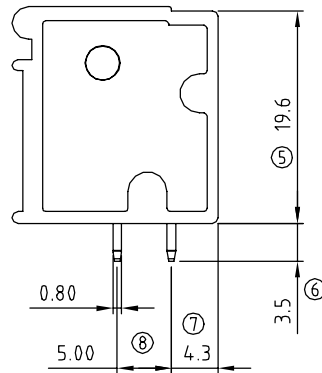


N=Number of Poles



P.C.B LAYOUT

N = Number of poles  
 Dim A=Nx7.5  
 Dim B=(N-1)x7.5

	Dim A	Dim B
2-6p	±0.20	±0.20
7-12p	±0.30	±0.30
13-16p	±0.40	±0.40

SIGN	DATE	DESCRIPTION	APPROVER
△	11.01'05	Standard spec is changed.	Marivn
△	02/01'07	Soldering temperature is changed from 245°C to 250°C	Marivn
△	04/15'10	12Poles to 16Poles	Tason
△	08/25'10	Add the tolerance table	Tason
△	08/25'10	Operating tem. changed from -30° +105° to -40° +115°	Tason
△	08/25'10	Dim 15.2 TO 19.0	Tason
△	08/25'10	Add the Measuring Symbol	Tason
△	03/29'10	The wire inlet is changed.	Tason

Material

- Terminal body  
(metal housing): steel stamped
- Terminal screw: Steel Zinc plating "-" slot type
- Contacts: Brass
- Surface of solder tail: Tin plated
- Insulator (housing): Thermoplastic (UL94V-0)

△ Electrical cULus

- Voltage rating: 300VAC
- Current rating: 20A
- Wire range:
  - Solid wire(AWG): 12-22
  - Stranded wire(AWG): 12-22
- Torque(Lb-In): 2.4
- Screw: M2.5
- Wire strip length: 10-11mm
- Withstanding Voltage: 1.6KV
- Operating temperature: -40°C to +115°C
- Soldering temperature: 250°C±10°C/5 Sec
- Safety Approval: cULus

TR xx 25 x 0 xxxx G

- 0 Black (RAL9005)
- 02 2Poles 2 Red (RAL3001/D) 0000: "@" Logo RoHS
- 03 3Poles 3 Orange(RAL2011/P) 000A: "ANYTEK" Logo Pb<40,000ppm
- ... .. 4 Yellow(RAL1018/A) Any special item by customer request.
- 16 16Poles 5 Green(RAL6018/T) please contact sales department.
- △ 6 Blue (RAL5015/A)
- 8 Grey(RAL7035/D)
- C Green(RAL 6018/U)

<b>ANYTEK</b>				<b>CUSTOMER COPY</b>			
ALL RIGHTS RESERVED. REPRODUCTION OR ISSUE TO THIRD PARTIES IN ANY FORM WHATSOEVER IS NOT PERMITTED WITHOUT WRITTEN AUTHORITY FROM THE PROPRIETOR. PROPERTY OF ANYTEK TECHNOLOGY CO., LTD							
TITLE		TR 7.5 Series Vertical (90D wire inlet)					
PART NO.		TRxx25x0xxxxG			DWG NO.		8TR0102
APPROVED		CHECKED		DESIGNED		DRAWN	
		Tason		Tason			
		2011.03.29		2010.04.15			
SHEET: 01/01				Tolerance			
UNIT: mm				X. ±0.50			
SCALE: NONE				X.X ±0.30			
REV.: G				X.XX ±0.10			
				X° ±1°			