


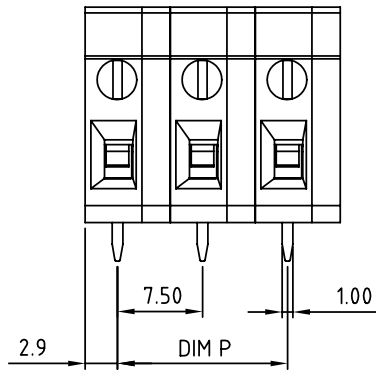
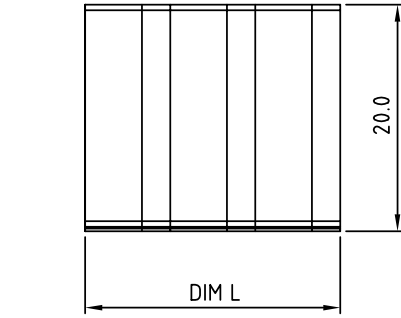
SIGN	DATE	DESCRIPTION	APPROVER
△	11.01'05	Standard spec is changed.	Marivn
△	02/01'07	Soldering temperature is changed from 245°C to 250°C	Marivn
<i>THIS IS CAD DRAWING, DO NOT REVISE MANUALLY!!!</i>			

Material

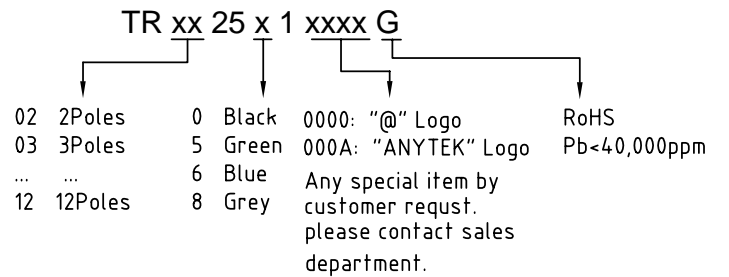
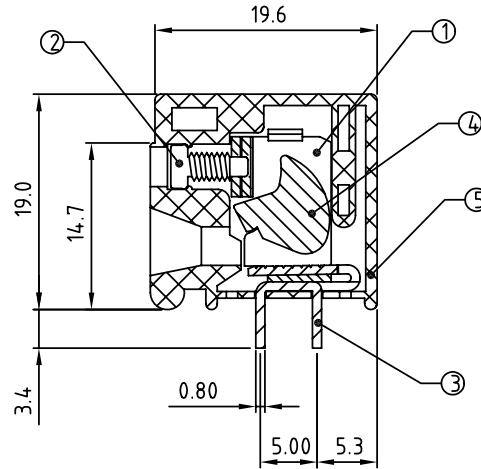
- Item ① Terminal body(metal housing): steel stamped Zinc plating
- Item ② Terminal screw: Steel Zinc plating "-" slot type
- Item ③ Contacts: Brass, Tin plated
- Item ④ Firm wire chunk: steel Zinc plating
- Item ⑤ Insulator (housing): Thermoplastic (UL94V-0)

△ Electrical cULus

- Voltage rating: 300VAC
- Current rating: 20A
- Wire range:
- Solid wire(AWG): 12-22
- Stranded wire(AWG): 12-22
- Torque(Lb-In): 2.4
- Screw: M2.5
- Wire strip length: 10-11mm
- Withstanding Voltage: 1.6KV
- Operating temperature: -40°C to +115°C
- Soldering temperature: 250°C±10°C/5 Sec
- Safety Approval: 

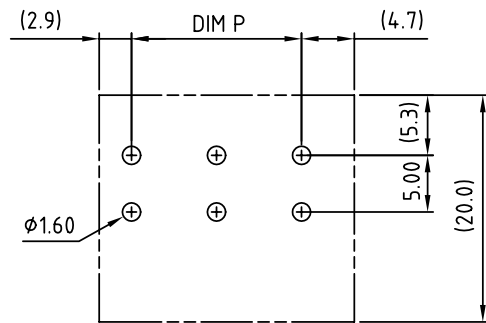


N=Number of Poles



N = Number of poles
 Dim L=Nx7.5
 Dim P=(N-1)x7.5

	Dim L	Dim P
2-6p	±0.20	±0.15
7-12p	±0.25	±0.20
13-18p	±0.30	±0.25
19-24p	±0.40	±0.30



P.C.B LAYOUT

ANYTEK		CUSTOMER COPY	
ALL RIGHTS RESERVED. REPRODUCTION OR ISSUE TO THIRD PARTIES IN ANY FORM WHATSOEVER IS NOT PERMITTED WITHOUT WRITTEN AUTHORITY FROM THE PROPRIETOR. PROPERTY OF ANYTEK TECHNOLOGY CO., LTD			
TITLE		TR 7.5 Series Horizontal (180D wire inlet)	
PART NO.	TRxx25x1xxxxG	DWG NO.	8TR0101
APPROVED	CHECKED	DESIGNED	DRAWN
	Marvin 2007.02.05	Marvin 2007.02.05	Marvin 2007.02.05
		CUST NO.	
		Tolerance	
		X. ±0.50	
		X.X ±0.30	
		X.XX ±0.10	
		X° ±1°	
		UNIT: mm	
		SCALE: NONE	
		REV.: E	
		SHEET: 01/01	