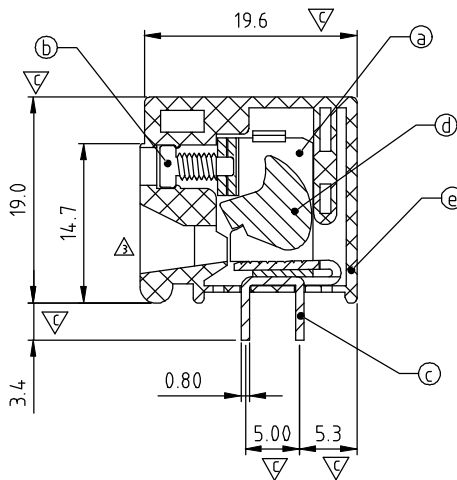


P.C.B LAYOUT
TOP VIEW



N = Number of poles

Dim A = $N \times 5.0 + 2.5$

Dim B = $(N - 1) \times 5.0$



	Dim A	Dim B
1-6p	± 0.20	± 0.20
7-12p	± 0.25	± 0.25
13-18p	± 0.35	± 0.35
19-24p	± 0.40	± 0.40

SIGN	DATE	DESCRIPTION	APPROVER
△	11/01'05	Standard spec is changed.	Marivn
△	02/01'07	Soldering temperature is changed from 245°C to 250°C	Marivn
△	03/29'10	The wire inlet is changed.	Tason
△	10/22'13	Update the drawing	Guoxue
THIS IS CAD DRAWING, DO NOT REVISE MANUALLY!!!			

Material

- Item ① Terminal body(metal housing): steel stamped Zinc plating
- Item ② Terminal screw: Steel Zinc plating "-" slot type
- Item ③ Contacts: Brass, Tin plated
- Item ④ Firm wire chunk: steel Zinc plating
- Item ⑤ Insulator (housing): Thermoplastic (UL94V-0)

△ Electrical cULus

- Voltage rating: 300VAC
- Current rating: 20A
- Wire range:
 - Solid wire(AWG): 12-22
 - Stranded wire(AWG): 12-22
- Torque(Lb-In): 2.4
- Screw: M2.5
- Wire strip length: 10-11mm
- Withstanding Voltage: 1.6KV
- Operating temperature: -40°C to +115°C
- Soldering temperature: 260°C±5°C/5 Sec
- Safety Approval: cULus
- Critical dimension: ▽

△ TR xx 05 x 1 xxxx G

01 1Poles	COLOR	0000: "@" Logo	G RoHS compliant
02 2Poles	0 Black (RAL9005)	000A: "ANYTEK" Logo	(lead-4%) In copper Alloy
...	2 Red (RAL3001/D)	Any special item by customer request. please contact sales department.	
24 24Poles	3 Orange(RAL2011/P)		
	4 Yellow(RAL1018/A)		
	5 Green(RAL6018/T)		
	6 Blue (RAL5015/A)		
	8 Grey(RAL7035/D)		
	C Green(RAL 6018/U)		

ANYTEK				CUSTOMER COPY			
ALL RIGHTS RESERVED. REPRODUCTION OR ISSUE TO THIRD PARTIES IN ANY FORM WHATSOEVER IS NOT PERMITTED WITHOUT WRITTEN AUTHORITY FROM THE PROPRIETOR. PROPERTY OF ANYTEK TECHNOLOGY CO., LTD							
TITLE		TR 5.0 Series Horizontal (180D wire inlet)					
PART NO.	TRxx05x1xxxxG	DWG NO.	8TR0001				
APPROVED	CHECKED	DESIGNED	DRAWN	CUST NO.	Tolerance		
		Guoxue 2013.10.22	Guoxue 2013.10.22		X. ±0.50		
					X.X ±0.30		
					X.XX ±0.10		
					X° ±1°		
				UNIT: mm			
				SCALE: NONE			
				SHEET: 01/01			
				REV.: F			