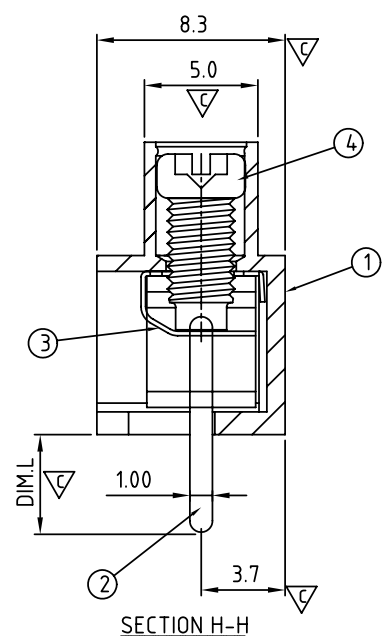
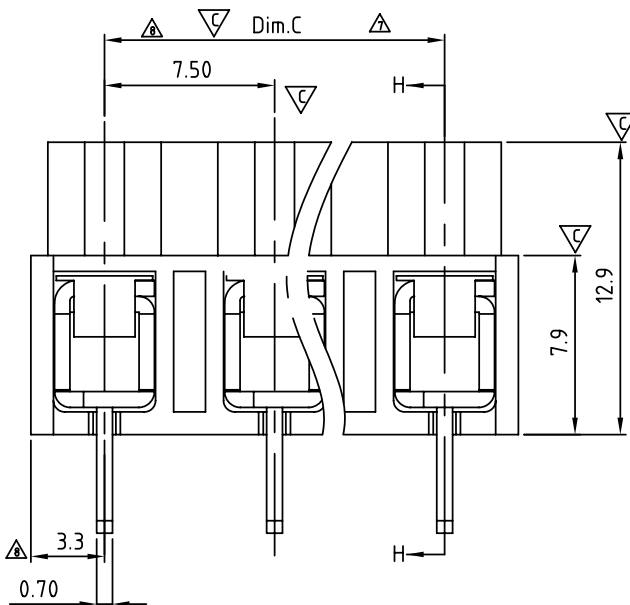


RECOMMENDED P.C.B. LAYOUT



SECTION H-H

SIGN	DATE	DESCRIPTION	APPROVER
△	01.11'06	Standard spec is changed.	xionghaitao
△	10/9'06	Solid wire and Stranded wire changed from 12-18 to 12-20	Steady
△	10/9'06	Added cULus logo	Steady
△	02/27'07	Soldering temperature changed from 245° to 250°	Tason
△	02/27'07	Part NO. is Changed	Tason
△	04/16'09	Operating temperature,tol are changed	JODY
△	06/04'12	Correct the Dim.C	Guoxue
△	06/04'12	The dimension are added	Guoxue

THIS IS CAD DRAWING, DO NOT REVISE MANUALLY!!!

Material:

- Item 1 Insulator(housing):Thermoplastic (UL 94V-0)
- Item 2 Metal housing: Brass ,Tin plated
- Item 3 Contacts:Stainless steel
- Item 4 Terminal screw: Steel Zinc plating"+/-"slot type

△ Electrical cULus

- Voltage rating: 300VAC
- Current rating: 10A
- Wire range:
 - Solid wire(AWG): 12-20
 - Stranded wire(AWG): 12-20
- Torque: 3.5Lb-In
- Screw: M3
- Wire strip length: 6-7mm
- Withstanding Voltage: 1.6KV
- Operating temperature: -40°C to +115°C
- Soldering temperature: 250°C±10°C/5 Sec
- SAFETY APPROVAL: DETA: cULus
- Critical dimension:

G RoHS compliant (lead<4%)
In copper Alloy

△ T4 xx 24 x x xxxx G

02 2 Poles	Color	DIM.L	0000:"@"Logo (Standard)
03 3 Poles	0 Black (RAL9005)	0 4.4mm	000A:"ANYTEK"Logo
... ..	2 Red (RAL3001/D)	1 3.0mm	Any special item by customer request, please contact sales department.
16 16 Poles	3 Orange(RAL2011/P)		
	4 Yellow(RAL1018/A)		
	5 Green(RAL6018/T)		
	6 Blue (RAL5015/A)		
	8 Grey(RAL7035/D)		

POLE	2	3	4	5	6	7	8	9	10	11	12
△ Dim.A	14.00	21.50	29.00	36.50	44.00	51.50	59.00	66.50	74.00	81.50	89.00
△ Dim.B	12.50	20.00	27.50	35.00	42.50	50.00	57.50	65.00	72.50	80.00	87.50
△ Dim.C	7.5	15.00	22.50	30.00	37.50	45.00	52.50	60.00	67.50	75.00	82.50
Tol.	±0.25						±0.40				
POLE	13	14	15	16							
△ Dim.A	96.50	104.00	111.50	119.00							
△ Dim.B	95.00	102.50	110.00	117.50							
△ Dim.C	90.00	97.50	105.00	112.50							
Tol.	±0.40										

ANYTEK

CUSTOMER COPY

ALL RIGHTS RESERVED. REPRODUCTION OR ISSUE TO THIRD PARTIES IN ANY FORM WHATSOEVER IS NOT PERMITTED WITHOUT WRITTEN AUTHORITY FROM THE PROPRIETOR. PROPERTY OF ANYTEK TECHNOLOGY CO., LTD

TITLE		T4-7.5mm 2p-16p			
PART NO.		T4xx24xxxxxxG		DWG NO. 8T40101	
APPROVED	CHECKED	DESIGNED	DRAWN	CUST NO.	
		Guoxue 2012.06.04	Guoxue 2012.06.04		
				Tolerance	
				X. ±0.50	
				X.X ±0.30	
				X.XX ±0.10	
				X° ±1°	
SHEET: 01/01				UNIT: mm	
				SCALE: NONE	
				REV.: E	