

SIGN	DATE	DESCRIPTION	APPROVER
△	9.11'02	Added the dimension 4.4.	Shi Jun
△	9.11'02	Added the dimension 12.1.	Shi Jun
△	11.01'05	Standard spec is changed.	Marivn
△	03.08'10	Standard spec is changed.	JXO

THIS IS CAD DRAWING, DO NOT REVISE MANUALLY!!!

Material

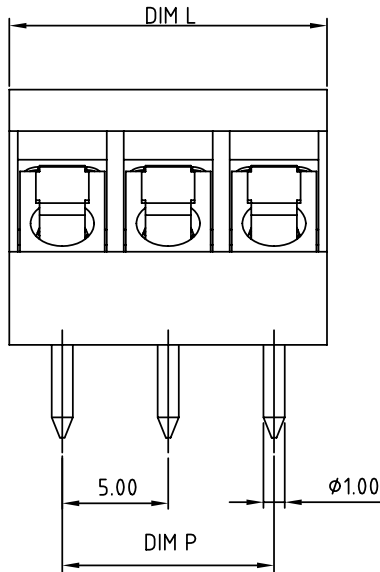
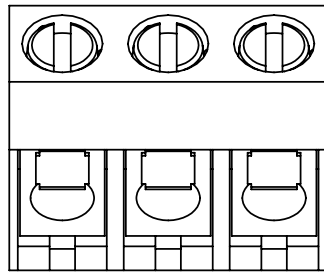
- Terminal body
- (metal housing): Brass (CuZn)
- Terminal screw: Steel Zinc plating "-" slot type
- Wire guard: Stainless steel
- Surface of solder tail: Tin plated
- Insulator (housing): Thermoplastic (UL94V-0)

△△ Electrical cULus

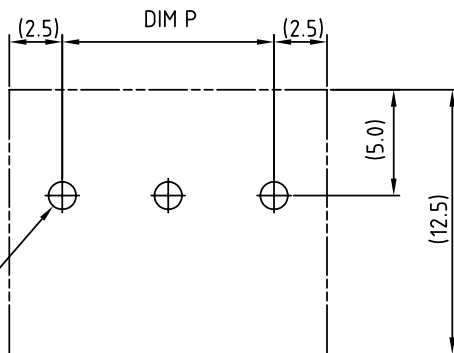
- Voltage rating: 300VAC
- Current rating: 15A
- Wire range:
- Solid wire(AWG): 14-22
- Stranded wire(AWG): 14-22
- Torque(Lb-In): 3.5
- Screw: M3
- Wire strip length: 6-7mm
- Withstanding Voltage: 1.6KV
- Operating temperature: -40°C to +115°C
- Soldering temperature: 250°C±10°C/5 Sec
- Safety Approval: cULus

TQ xx 01 x 0 0000 G

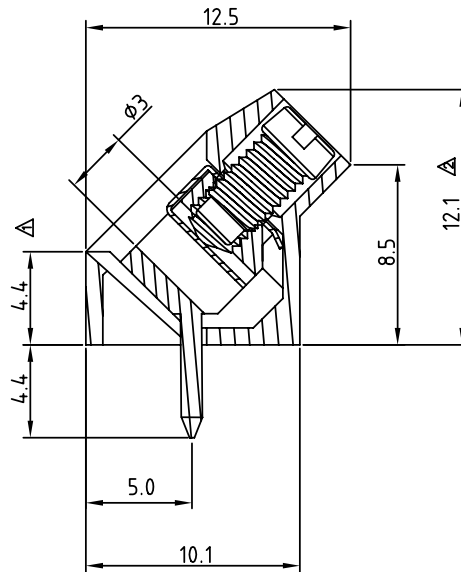
02	2 CONTACTS	0	Black	RoHS
03	3 CONTACTS	5	Green	Pb<40,000ppm
...	...	6	Blue	
24	24 CONTACTS	8	Grey	



N=Number of contacts



RECOMMENDED PCB LAYOUT



N = Number of poles
 Dim L=Nx5.0
 Dim P=(N-1)x5.0

	Dim L	Dim P
2-6p	±0.20	±0.15
7-12p	±0.25	±0.20
13-18p	±0.30	±0.25
19-24p	±0.40	±0.30

ANYTEK

CUSTOMER COPY

ALL RIGHTS RESERVED. REPRODUCTION OR ISSUE TO THIRD PARTIES IN ANY FORM WHATSOEVER IS NOT PERMITTED WITHOUT WRITTEN AUTHORITY FROM THE PROPRIETOR. PROPERTY OF ANYTEK TECHNOLOGY CO., LTD

TITLE		TQ-5.0 SERIES SOLID BLOCK SERIES			
PART NO.		TQxx01x00000G		DWG NO.	8TQ0001
APPROVED	CHECKED	DESIGNED	DRAWN	CUST NO.	Tolerance
		xionghaitao 2006.02.04	xionghaitao 2006.02.04		X. ±0.50 X.X ±0.30 X.XX ±0.10 X° ±1°
				UNIT: mm	
				SCALE: NONE	
				SHEET: 01/01	REV.: D