

SIGN	DATE	DESCRIPTION	APPROVER
△	02/02'07	Soldering temperature is changed from 245°C to 250°C	Marivn
△	07/23'07	Voltage rating is changed from 300VAC/10A to 250V/15A	Chen Bo
△	07/23'07	Solid & Stranded wire is changed from 12-20 to 12-22	Chen Bo

THIS IS CAD DRAWING, DO NOT REVISE MANUALLY!!!

Material

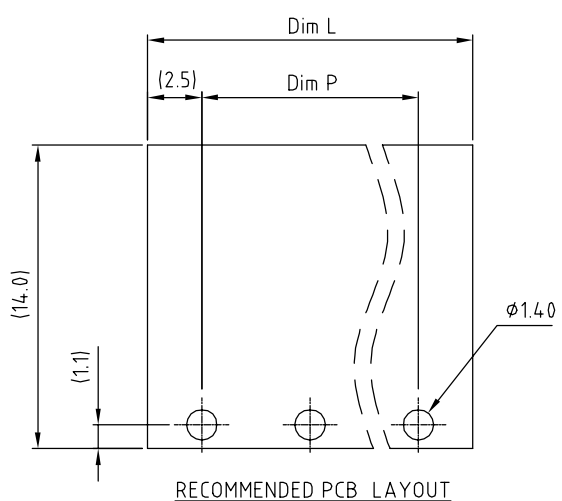
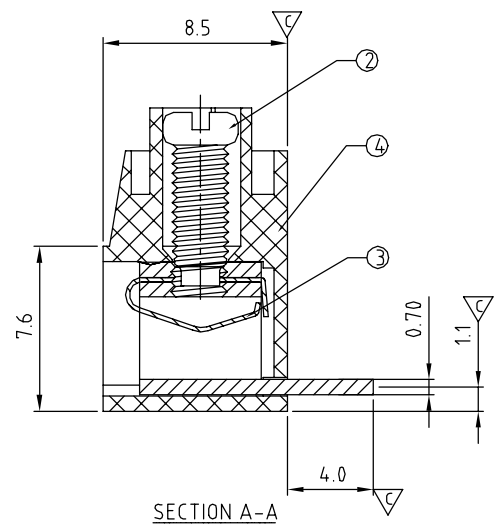
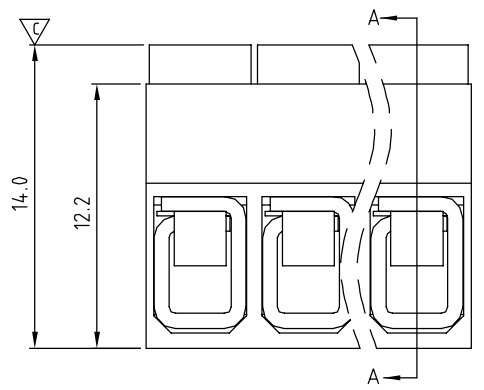
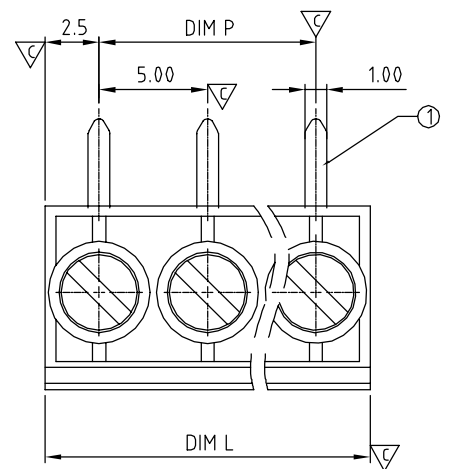
- Item ① Terminal body: Brass stamping, Tin plated
- Item ② Terminal screw: Steel Zinc plating "-" slot type
- Item ③ Wire guard: PhBz, Tin plated
- Item ④ Terminal (housing): Thermoplastic (UL94V-0)

Electrical cULus

- △ ● Voltage rating: 250V
- Current rating: 15A
- Wire range:
- Solid wire(AWG): 12-22
- Stranded wire(AWG): 12-22
- Torque(Lb-In): 3.5
- Screw: M2.5
- Wire strip length: 6-7mm
- Withstanding Voltage: 1.6KV
- Operating temperature: -40°C to +115°C
- Soldering temperature: 250°C±10°C/5 Sec
- Safety Approval: cULus
- Critical dimension: ▽

TL xx 05 x 0 xxxx G

- | | | | | |
|-------------|--------------------|--------------------|---------------------|---------------------|
| Solid Block | 02 2 CONTACTS | 03 3 CONTACTS | | 24 24 CONTACTS |
| Color | 0 Black (RAL9005) | 2 Red (RAL3001/D) | 3 Orange(RAL2011/P) | 4 Yellow(RAL1018/A) |
| | 5 Green(RAL6018/T) | 6 Blue (RAL5015/A) | 8 Grey(RAL7035/D) | |
- RoHS
Pb<40,000ppm
0000: "@" Logo
000A: "ANYTEK" Logo
Any special item by customer request. please contact sales department.



N = Number of poles
 Dim L = N x 5.0
 Dim P = (N-1) x 5.0

	Dim L	Dim P
2-6p	±0.15	±0.10
7-12p	±0.20	±0.20
13-18p	±0.30	±0.25
19-24p	±0.40	±0.30

ANYTEK				CUSTOMER COPY			
ALL RIGHTS RESERVED. REPRODUCTION OR ISSUE TO THIRD PARTIES IN ANY FORM WHATSOEVER IS NOT PERMITTED WITHOUT WRITTEN AUTHORITY FROM THE PROPRIETOR. PROPERTY OF ANYTEK TECHNOLOGY CO., LTD							
TITLE		TL-5.0mm series "-"					
PART NO.		TLxx05x0xxxxG			DWG NO.		8TL0001
APPROVED		CHECKED		DESIGNED		DRAWN	
						Chen Bo 2011.07.23	
SHEET: 01/01		UNIT: mm		SCALE: NONE		Tolerance	
		REV.: F				X. ±0.50 X.X ±0.30 X.XX ±0.10 X° ±1°	