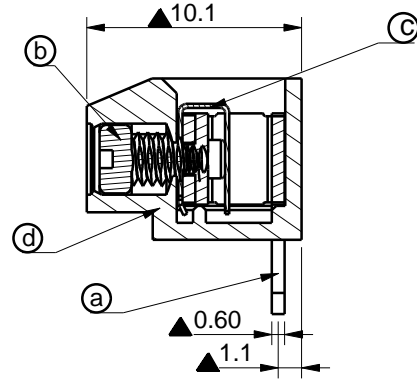
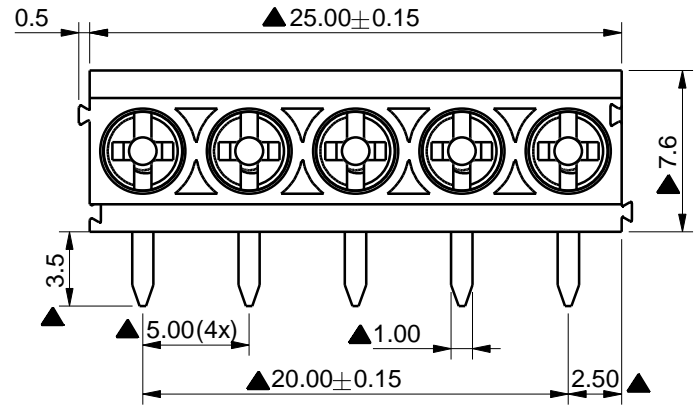
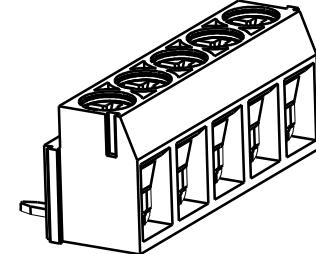


Rev.	SIGN	DATE	DESCRIPTION	APPROVER
B	-	2017.04.06	The first release	Johnson
C	⚠	2017.06.02	Add CULus	Johnson

THIS IS CREO DRAWING, DO NOT REVISE MANUALLY!!!

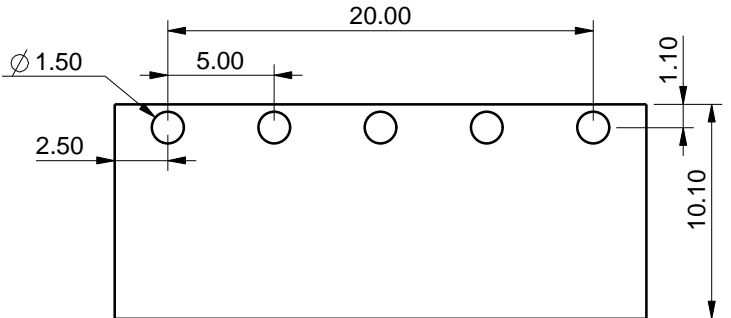


Material

- Item ⓐ Terminal body: Brass stamping, Matte Tin plated
- Item ⓑ Terminal screw: Steel Zinc plating "+/-" slot type
- Item ⓒ Wire guard: Stainless steel
- Item ⓓ Terminal housing: Thermoplastic (UL94V-0) Blue

⚠ Electrical

- Voltage rating: 300VAC
- Current rating: 8A
- Wire range:
- Solid wire(AWG): 14-26
- Stranded wire(AWG): 14-26
- Torque: 3.5Lb-In
- Screw: M2.5
- Wire strip length: 5-6mm
- Withstanding Voltage: 1.6KV
- Operating temperature: -40°C to +115°C
- Soldering temperature: 260°C/5 Sec
- ⚠ Safety Approval:
- Critical dimension: ▲



PCB LAYOUT

TITLE:		T3 5.0 SERIES 90° SOLID BLOCK 5P		CUSTOMER COPY	
		ALL RIGHTS RESERVED. REPRODUCTION OR ISSUE TO THIRD PARTIES IN ANY FORM WHATEVER IS NOT PERMITTED WITHOUT WRITTEN AUTHORITY FROM THE PROPRIETOR. PROPERTY OF ANYTEK TECHNOLOGY CO., LTD			
PART NO.	T305046500B0G	DWG NO.	8T30034		
APPROVED	CHECKED	DESIGNED	DRAWN	CUST NO	Tolerance
		Johnson	Johnson	UNIT: mm SCALE: 3:1 SHEET: 1 / 1 REV.: C	X. ±0.50 X.X ±0.30 X.XX ±0.10 X° ±1°
		2017.06.02	2017.06.02		