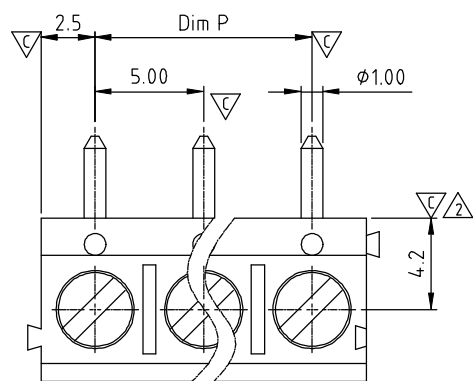


SIGN	DATE	DESCRIPTION	APPROVER
△	5/8'10	Add the tolerance table	Tason
△	5/8'10	Add the dimensions	Tason
△	03/14'14	Add the "TUV"	Guoxue
△	03/14'14	Update the drawing	Guoxue

THIS IS CAD DRAWING, DO NOT REVISE MANUALLY!!!



DIMENSION

Dim L	N×5.0
Dim P	(N-1)×5.0

N=Number of poles

Poles	DIM P	DIM L
2p-6p	±0.15	±0.20
7p-12p	±0.20	±0.25
13p-18p	±0.25	±0.35
19p-24p	±0.35	±0.40

Material

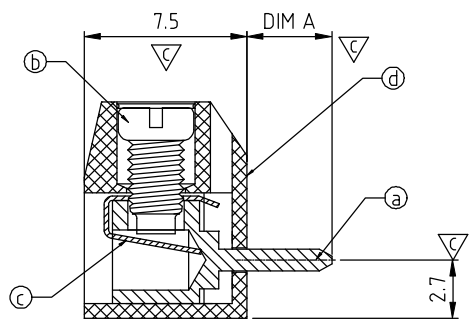
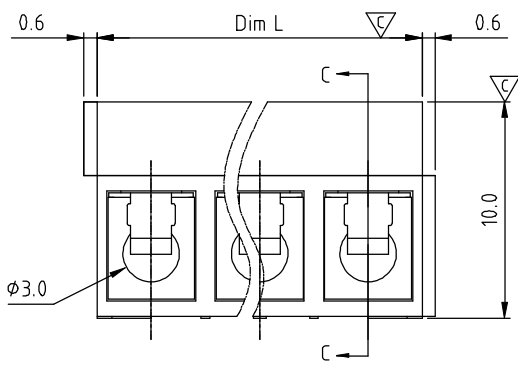
- Item ① Terminal body(metal housing): Brass(CuZn),Tin plated
- Item ② Terminal screw: Steel Zinc plating "--" slot type
- Item ③ Wire guard :stainless steel
- Item ④ Insulator (housing): Thermoplastic (UL94V-0)

△ Electrical cULus / TUV

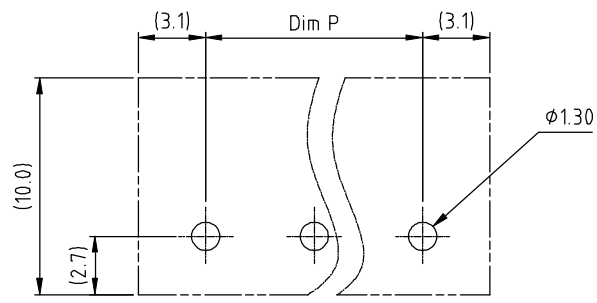
- Voltage rating: 250V/130V
- Current rating: 16A/17.5A
- Wire range: 0.5~1.5mm²
- Solid wire(AWG): 14
- Stranded wire(AWG): 16
- Torque(Lb-In): 2.6 / 2.6
- Screw: M2.6
- Wire strip length: 5-6mm
- Withstanding Voltage: 1.5KV/1.25KV
- Operating temperature: -40°C to +115°C
- △ ● Soldering temperature: 260°C±5°C/5 Sec
- △ ● Safety Approval:
- Critical dimension:

△ **TD xx 0 1 x x xxxx G**

End Stackable	Color	DIM A Length	000 0 @ logo
02 02 POLES	0 Black (RAL9005)	0 4.4mm	000 A ANY logo
03 03 POLES	2 Red (RAL3001/D)	1 3.8mm	Any special item by customer request, please contact sales department.
...	3 Orange(RAL2011/P)	2 3.5mm	
24 24 POLES	4 Yellow(RAL1018/A)		
	5 Green(RAL6018/T)		
	6 Blue (RAL5015/A)		
	8 Grey(RAL 7035/D)		
	C Green(RAL6018/U)		



SECTION C-C



RECOMMENDED PCB LAYOUT

ANYTEK		CUSTOMER COPY	
ALL RIGHTS RESERVED. REPRODUCTION OR ISSUE TO THIRD PARTIES IN ANY FORM WHATSOEVER IS NOT PERMITTED WITHOUT WRITTEN AUTHORITY FROM THE PROPRIETOR. PROPERTY OF ANYTEK TECHNOLOGY CO., LTD			
TITLE	TD-5.0mm series 2p-24p "--"		
PART NO.	TDxx01xxxxxG	DWG NO.	8TD0013
APPROVED	CHECKED	DESIGNED	DRAWN
		Guoxue 2014.03.17	Guoxue 2014.03.17
SHEET: 01/01		Tolerance	
UNIT: mm		X. ±0.50	
SCALE: NONE		X.X ±0.30	
REV.: C		X.XX ±0.10	
		X° ±1°	